

Video Equipment



4-Channel Video Mixer **V-4**

Video Mix / Live Switcher **LVS-400**

Realtime Video Presenter **PR-80/50**

Visual Synthesizer **CG-8**

4ch Portable Recorder and Wave Editor **R-4**

Video Optimizer / Media Converter **VMC-1**

Realtime Graphics Presenter **RG-100**

V-440HD Multi Format Video Mixer

DV-7DL series Digital Video Workstation

Video Application Solutions

EDIROL Video products provide the best solution for many types of video applications. For Production, Performance, Mixing, Signage and many others - EDIROL provides the best value with the most affordable and easy to use solutions.

Video Mixers

This wide range of Video Mixers can match anyone's application or budget. Easy to operate, incredible quality and highly affordable. From business to broadcast, house of worship to classroom - EDIROL has the choices.



V-440HD



LVS-400



V-4



V-1

Affordable

Video & Graphic Presenters

Video and Graphics Presenters support any type of visual presentation or performing needs from still images, 3-D manipulation of stills or high-quality DV clips. Real-Time control of video and stills at your fingertips - spontaneous, on-demand, instantaneous. Creative.



PR-80/50



CG-8



P-1



RG-100

Intuitive



Direct Linear Video Editors

Non-Linear Video Editors designed with a new concept called "Direct Linear" provide an extremely easy and intuitive editing environment. Multi-processors in dedicated units deliver lightening fast completion of projects. Ideal for the Videographer with tight deadlines and in need of improved workflow.



DV-7DL Series

High Speed

Field Recorder

Field Recorder enable the capturing of high quality digital sound anytime, anywhere. This recorder provides incredible value.



R-4

Portable

Peripheral Products

Peripheral products cover various video applications. These accessories are critical for keeping your productions, presentations and performances high in quality.



VMC-1



RH-200



DR-50

Practical



V-440HD Multi Format Video Mixer

Multi Format Video Mixer
V-LINK

This is the long waited video mixer to be the core of multi-format video generation. The most affordable solution is yours.



Mix Multiple Input Formats

Capable of mixing HD (1080i/720p:component), SD (S-Video, Composite) or RGB from computer (from VGA to SXGA).

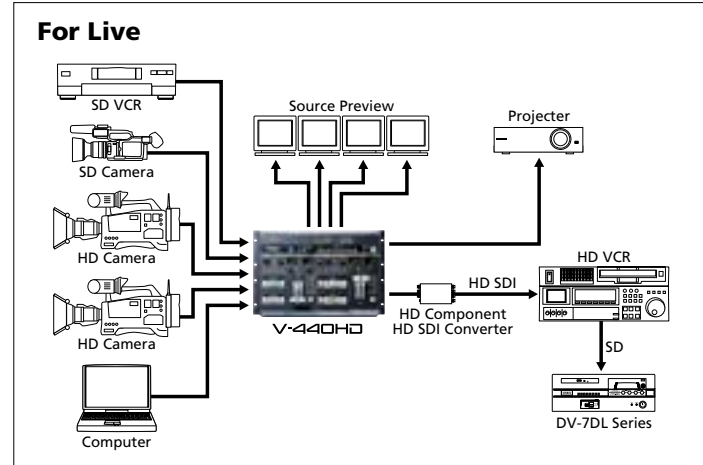
Choose from Various Output Formats

Output format is selectable from various types: 1080i or 720p for HDTV and RGB for computer displays. SD inputs are up-converted but can also be output independently.

Switch and Mix Seamlessly

Totally seamless mixing and switching is a reality with high quality up conversion, scan conversion as well as built-in TBC/frame synchronizer.

With various source and output device



Simple and intuitive operation

With active input channel indicators, backlit channel buttons, single touch recall presets, joystick and dial control of PinP and Keys – operation is simple and intuitive.

Synchronize Multiple Units and Control Remotely

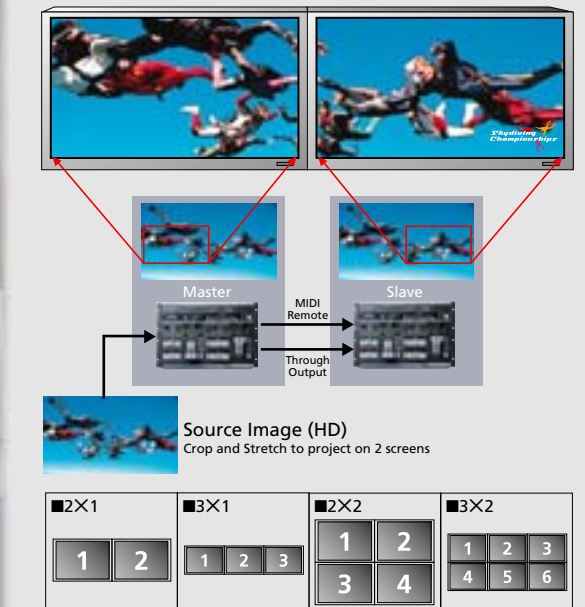
With thru outputs and MIDI, multiple units can be cascaded to drive multiple screens (video walls). Control the V-440HD remotely via MIDI, V-LINK or RS-232C.

Output to multiple screens



Enhances your entertainment with video

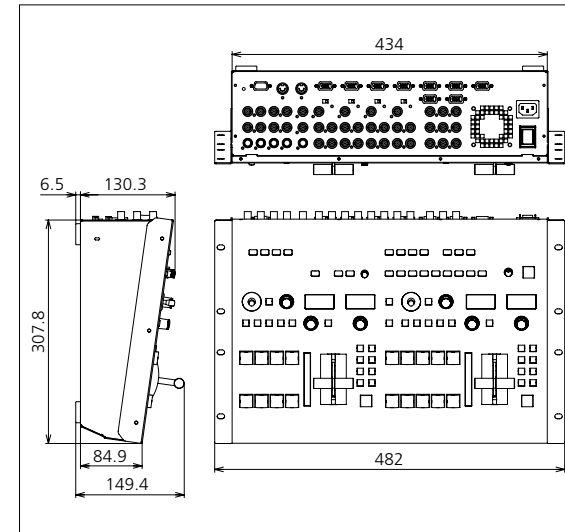
Output image to multiple screens from multiple units of V-440HD. Connecting multiple units of V-440HD via MIDI and through output of video, it's possible to configure system to output image to multiple screens very easily. Sub-picture of PinP can be moved across multiple screens and wiping across multiple screens is also possible. Master unit can remote control slave unit(s) via MIDI.



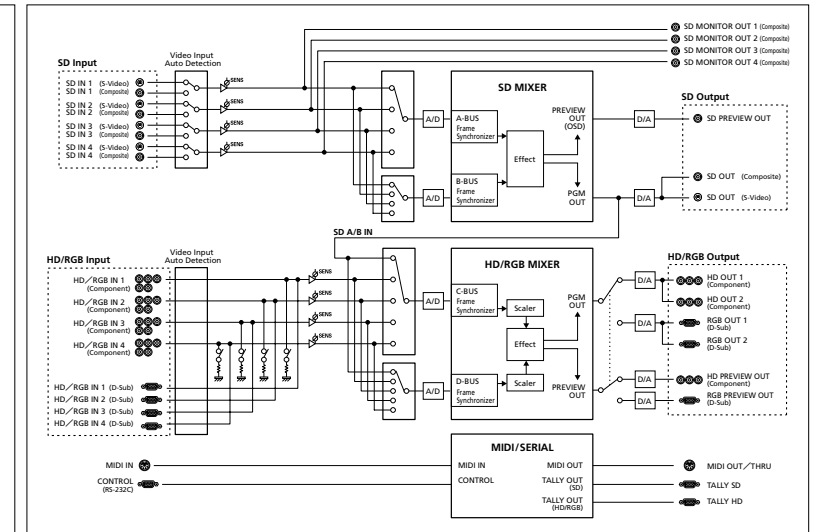
Rear Panel



Dimension Chart (mm)



Block Diagram



V-440HD Specifications

Video Processing -Video Format: SD: NTSC or PAL(CVBS, S(Y/C)), HD: 1080/59.94i/50/SMPT274M (Y:Pb:Pr TriLevelSync) 720/59.94p/50p SMPT296M (Y:Pb:Pr TriLevelSync), RGB: 640x480/60/75, 800x600/60/75, 1024x768/60/75, 1280x768/60/75, 1280x1024/60 (RGB VH:positive/negative logic) VESA DMT Version 1.0 Revision 10 conform. -Video Sampling: SD: 4:2:2 (Y:B-Y:R-Y), 8-bit, 13.5 MHz(BT.601), HD: 4:4:4(Y:Cb:Cr), 8-bit, 74.1758 MHz/74.25 MHz, RGB: 4:4:4(R:G:B), 8-bit, 25 MHz to 110 MHz. -Video Effects: Video Transition: Cut, Dissolve(MIX), Wipe : 6 Patterns, Reverse, SoftEdge, OneWay, Composition FX: Picture in Picture, ChromaKey (Blue/Green), Luminance Key(White/Black), Picture in Picture with Zoom/Pan (HD/RGBside only).

Connectors -SD Input: S-Video (Y/C) Preferential x 4 : 4-pin mini DIN type (Y: 1.0 Vp-p, C: 0.286 Vp-p, 75 ohms) Video (composite) x 4 : BNC type (1.0 Vp-p, 75 ohms) -HD/RGB Input: BNC Type x 4, HD: Y/Pb/Pr (1.0Vp-p, 75Ω, TriLevelSync), RGB: R/G/B (0.7Vp-p, 75Ω), H (5V TTL), V (5V TTL), D-SUB 15pin Shrink Type for HD/RGBx 4, *For In or Thru/Outuse, select BNC Type or D-sub Type -SD Output: 4-pin mini DIN type (Y: 1.0 Vp-p, C: 0.286 Vp-p, 75 ohms), PGM Video (composite): BNC type (1.0 Vp-p, 75 ohms), Preview: BNC type (1.0 Vp-p, 75 ohms), OSD Menu Output -HD Output *Select Component or RGB output: PGM Component HD: BNC Type x2 (1.0Vp-p, 75 ohms, TriLevelSync), Preview Component HD: BNC type (1.0 Vp-p, 75 ohms, TriLevelSync), OSD Menu Output (display On/Off is selectable) -RGB Output* Select Component or RGB output: PGM RGB: D-sub 15pin Shrink Type x2 (0.7Vp-p, 75 ohms, 5V TTL Sync), Preview RGB: D-sub 15pin Shrink type (0.7 Vp-p, 75 ohms, 5V TTL Sync), OSD Menu Output (display On/Off is selectable). -Remote Control Interfaces: MIDI Spin DIN Type (In, Out/Thru), RS-232C D-sub 9pin -TALLY Output: D-sub 15pin Shrink type x2 (1 for SD/1 for HD), Max Input : 12V, 200mA Open collector Type

Functions -Multi-Screen Presentation:Screen Setup : 2 screens x 1 line, 3 screens x 1 line, 2 screensx 2 lines, 3 screens x 2 lines -Synchronization of Multiple Units by MIDI: Control the slave unit(s) from master unit -Master Fade: Auto (0 to 4 seconds) or Manual Black or White

Others -Power Supply: AC 117 V, AC 230 V, AC 240 V (50/60 Hz), AC 220 V (60 Hz) -Power Consumption: 50W -Dimensions: 482(W) x 308(D) x 130(H)mm or 19(W) x 12-1/8(D) x 5-1/8(H) inch *EIA-7U Rack Mount Size

Weight: 6.8 kg or 15 lbs

V-4 4-Channel Video Mixer

V-LINK

The compact video mixer that's full of features.

An affordable 4 input/3 output video mixer with many high quality video effects. Use it wherever you need to show video.



4 input / 3 output design.

The V-4 has 4 inputs and 3 outputs in a compact body allowing you to switch and mix any two inputs. A and B channels have independent TBC's (Time Base Corrector) which gives you stable mixing from any source. The V-4 can be used for many kinds of performance and presentation such as VJ (Visual Jockey), live camera switching and making materials for linear or non-linear editing. Low cost and high performance are some of the V-4's most important qualities.



Independent 2-channel TBC
The V-4 provides the TBC which consists of A/B channel independently. It enables smooth switching when mixing DV or S-video with VHS or Hi-8 without degradation.

High quality images from all digital processing.

The V-4 produces high-quality images of more than 500-line resolution by virtue of its internal 4:2:2 full digital processing. Mix images of DV quality without any degradation.

V-LINK — connecting music and video.

You can use the TAP button to specify the timing and BPM (Beats Per Minute). With this you can easily fit your video to the music. The V-4 also uses V-LINK giving you instant compatibility with Roland musical instruments.

Presentation mode.

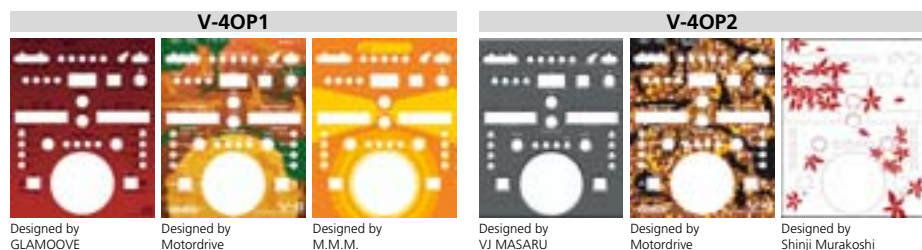
The V-4 is equipped with a presentation mode specially for conferences and exhibitions. Give impressive performances with video using functions such as Picture in Picture.

V-4 Specifications

Video Format: NTSC or PAL (ITU601) **Video sampling rate:** 13.5MHz, 4:2:2(Y:B-Y:R-Y), 8-bit, Flame synchronizer x 2 **Transition Effects:** Hard Edge Wipe, Soft Edge Wipe, Multi-Border Wipe **Video Effects:** Strobe, Still, Mirror, Multi, Shake **Compositing Effects:** Picture-In-Picture, Chroma Key, Luminance Key **Video Input:** S-Video, 4-pin mini DIN type x 2 (inputs 1 or 2), Video (composite); RCA pin type x 4 (inputs 1-4; however if S-Video is simultaneously input to 1/2, S-Video takes priority) **Video Output:** S-Video, 4-pin mini DIN type x 1, Video (composite); RCA pin type x 2 **Preview Out:** Video (composite); RCA pin type x 1 **Control:** MIDI (in, out), V-LINK, BPM synch, TAP **Power Supply:** Dedicated AC Adaptor **Current Consumption:** 1500mA **Dimensions:** 225 (W) x 295 (D) x 105 (H) mm **Weight:** 2.3kg **Included Items:** AC Adaptor, Transition effect list, T-bar attachment screws x 4 pcs. (spares)

Options

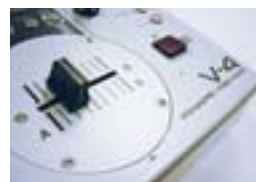
Liven up the look of your V-4 with a package of three different faceplate skins.



Designed by GLAMOOVE | Designed by Motordrive | Designed by M.M.M. | Designed by VJ MASARU | Designed by Motordrive | Designed by Shinji Murakoshi

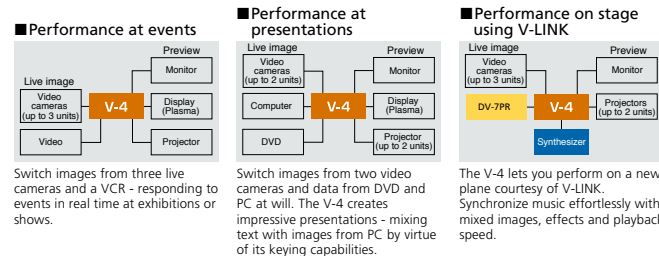
V-4CF

V-4 Cross Fader can be substituted for the T-bar on the V-4, allowing you to switch between your video sources extremely fast. You can adjust the distance-throw to a stroke of 10 mm, 23 mm, 35 mm or 45 mm.

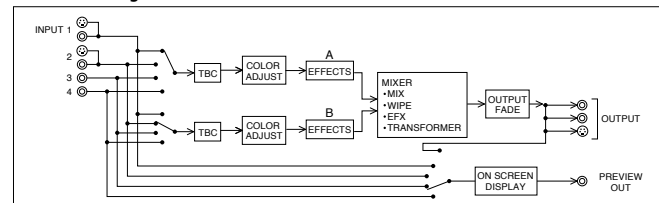


High quality video effects and multiple wipe patterns.

Access more than 90 types of effects such as Still, Strobe, Multi Screen, Picture in Picture, all at the touch of a button. In addition, the V-4 is equipped with composition effects such as Chrominance and Luminance keying. All this plus the multiple wipe functions (more than 240 patterns) allow you to give full effects-rich performances.



V-4 Block diagram



V-LINK is a function that makes it easy to "perform video" in conjunction with music. It's easy to use a V-LINK compatible device to remotely control the V-4. V-LINK lets you perform a wide variety of video effects that are linked with your musical performance.



LVS-400 Video Mix/Live Switcher

V-LINK

Simple, straightforward operation for all your mixing requirements.

Intuitive and stable mixing/switching of four video sources. Perfect for control of video at events, exhibitions and presentations.



Sophisticated compositing and transition effects in real time.

The LVS-400 is equipped with 3 different types of composition effects: the 4 types of Picture in Picture (inserts a small image into the main image), Chroma Key and Luminance Key (white/black). These let you insert graphics and titling from a PC into the main image in real time. There are also 3 types of transition effects: Mix, Wipe 1, which switches from left to right and Wipe 2 that expands from the center.

Images of DV quality maintained by the Frame Synchronizers.

The LVS-400 lets you manipulate DV quality images with fully digital processing. The two independent frame synchronizers give you stable switching with no noise or jitter - no matter how unstable your analog video sources are.

Professional input and output connectors plus V-LINK to provide synchronization with music.

For professional use, the LVS-400 is equipped with BNC composite video inputs and outputs to prevent cables being accidentally pulled out. In addition, the V-LINK connection, via MIDI, lets you synch the video with live performance of music.

LVS-400 Specifications

Video Format: NTSC or PAL (ITU601) **Video Sampling Rate:** 13.5MHz, 4:2:2 (Y: B-Y: R-Y), 8-bit Frame Synchronizer x 2 **Video Input:** S-Video=4-pin mini DIN type x 4, Video (Composite)=BNC type x 4 *If S-Video is simultaneously, S-Video takes priority **Video Output:** S-Video=4-pin mini DIN type x 1, Video (Composite)= BNC type x 2 **Monitor Output:** Video (Composite)=BNC type x 1 **Input/Output Level and Impedance:** S-Video Luminance signal=1Vp-p, 75ohm, Chrominance signal=0.286mVp-p, 75ohm (NTSC), 0.3mVp-p, 75ohm (PAL) Video (Composite)=1Vp-p, 75ohm **Control Connectors:** MIDI IN=5-pin DIN type, MIDI OUT= 5-pin DIN type **Transition Effects:** Mix (Dissolve), Wipe 1, Wipe 2 **Composite Effects:** Picture-in-Picture (4 types), Luminance Key (2 types), Chroma Key **Power Supply:** DC 9V (AC Adaptor) **Current Draw:** 1500mA **Dimensions:** 365 (W) x 259 (D) x 87 (H) mm **Weight (excluding the AC adaptor):** 2.95kg **Accessories:** BNC-RCA Adaptor x 4



V-1 4-Channel Video Mixer

V-LINK

Easy control of 4 video inputs — switch and mix at will.



Switch images intuitively and smoothly. The V-1 features frame synchronizers and wipe effects. Use the V-1 at events and anywhere you need to mix video.

Superimposition and a variety of image manipulation functions.

The V-1 offers a superimpose that enables you to easily insert the titles that you create with PC. The Picture in Picture function lets you include another image within the main image — use it for merchandise shots or live camera feed. The V-1 makes video performances effective and easy.

V-LINK is a function that makes it easy to "perform video" in conjunction with music. It's easy to use a V-LINK compatible device to remotely control the V-1. V-LINK lets you perform a wide variety of video effects that are linked with your musical performance.



V-1 Specifications

Video Format: NTSC or PAL (ITU601) **Video Sampling Rate:** 13.5MHz, 4:2:2(Y:B-Y:R-Y), 8-bit, Flame synchronizer x 2 **Video Input:** S-Video, 4-pin mini DIN type, Video (composite); RCA pin type x 4 (inputs 1-4; however if S-Video is simultaneously input to 1/2, S-Video takes priority) **Video Output:** S-Video, 4-pin mini DIN type x 1, Video (composite); RCA pin type x 2 **Output level and Impedance:** S-Video: 1Vp-p, 75ohm, Video (composite): 1Vp-p, 75ohm, chrominance signal: 0.286mVp-p, 75ohm **Transition Effects:** Mix, Wipe (4 types), Picture-in-Picture (4 types) **Compositing Effects:** Superimpose (remove black) **Control:** MIDI (in, out), V-LINK **Power Supply:** Dedicated AC Adaptor **Current Consumption:** 1500mA **Dimensions:** 282 (W) x 209 (D) x 77 (H) mm **Weight:** 1.8kg **Included Items:** AC Adaptor



Use it at any event or presentation.

The V-1 is a video mixer with high performance at low cost that enables you to mix or switch 4 video inputs easily and securely. The V-1 offers a simple operation so that anyone can use it easily and intuitively, with just a glance at the panel. Create impressive video output at conferences, events or presentations with video from cameras, DVD players, video decks, PC, and the Photo Presenter P-1 (sold separately), etc.

DV-7 DL Series Digital Video Workstation

Direct Linear Video Editors

With a direct feel for edits, a more high-speed and intuitive process of editing is at heart of the Direct Linear concept.

With a focus on high-speed video production and creation, Direct Linear editors from Edirol bring outstanding stability and ease of use on the dedicated hardware with multiple processors. These offer a world without loss or interruption. A world where the edit comes first, where the feel is real.



Direct Linear

Non-destructive video editing with the flow of a live production.

Dedicated hardware

Secures the most stable processing. With constant backup of your project, your work is safe even in case of accidental power failure.

Multiple Processors

Enables real-time process of dissolve, wipe, titling, keyers and audio effects like EQ/reverb without stopping playback.

Ease of use

Knowledge of OS or special skills for configuring and maintaining a PC are not required. DV-7DL series allows you to fully concentrate on your video editing. This will minimize the period from purchasing to finishing the first video sequence.

Non-stop Editing

Enables on-the-fly editing while playing full frame DV. Relocate and insert material, adjust duration of clips, apply various effects without stopping.

Intuitive infinity Roll editing

The AB roll editing function enables you to mix or switch, in real-time, between two video sources which were recorded simultaneously in a multi camera shot. On the Studio Edition of DV-7DL Pro, you can add further more clips. Production time can be drastically reduced and creativity enhanced.

Preview Monitor
The main video and insert video are shown above each other. The video results of A/B Roll Editing are shown in real time.

A/B Roll Editing
You can use a mouse for precise control of the T-Bar to set the timing or speed of transitions. Of course you have the same result with the DV-7 contoller (included in DV-7DL PRO).

CD-ROM Drive
Enables the import of audio, still images, DV stream (DV) files and program updates.

Removable Hard Disk (optional)
In addition to the internal hard disk (approximately 5-hour recording), the optional removable hard disk can record for approximately 9 hours and provide additional flexibility for file management.

•Mic and Headphone connections
Equipped with Mic In and Headphone out on the front panel, each with a volume control.

Rear Panel

- Mouse
- Keyboard
- USB
- Analog RGB Connector
- Input
- Output

•Monitor Display required
A monitor display is needed for video editing with DV-7DL Series. Use a monitor with support for XGA (1,024 x 768 dot) display and a miniD-sub 15pin connector.

Most operations can be done from a single menu!

The world's first Non-stop editing system makes it easy to edit your ideas while playing back the video. In addition, most of the operations can be made from a single user-friendly edit menu screen.

Preview Monitor

Select from playback, 1-frame forward / backward, or 10-frame forward / backward instantly. Preview screen is combined with edit screen for maximum efficiency.

DV Auto Split Capture and Motion effects

DV Auto Split Capture saves editing time and hard drive space. Motion Effects like Slow Motion, Fast Motion, Reverse, Strobe and Afterimage can be easily applied. With the single frame capture function you can create an animation effect from the capture of a single frame of video.

Story Board editing window

With the Story Board window you can create an outline by assigning and relocating video clips with a simple mouse operation. After making a rough outline, you can finesse the project in the Time Line window.

A/B Roll Edit (*2)

With a single click from the editing screen, the A/B Roll editing menu appears. You can edit a multiple camera video shoot for the feel of a live video mix.

Material Palette

Video and audio material as well as still images and titles are automatically sorted by type. A check mark on Also change color, the thumbnail of any material shows whether it is used in the project sequence. When double-clicking the thumbnail a full clip editing window appears displaying; name, comments, in/out point and color correction.



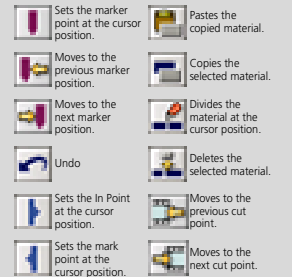
Effects Palette

A variety of real time effects are available including Double Exposure, Picture in Picture, or Key Composition. The effects are categorized into 4 types: "Transition", "Filter", "Composition", and "Audio". In addition graphic icons assist your choice of effect. Just click the effect you want and drag and drop it to the position you want for non-stop video editing. (*1)



Intuitive Editing Buttons

With a single click you can intuitively copy, paste, place in/out and marker points and other frequently used functions.



*1. Effects Variation is limited on DV-7DLG or DV-7DL PRO. Fully expandable on Studio Edition.
*2. AB roll edit function is not included in DV-7DLG.

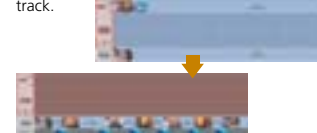
DV-7 DL Series Line Up

DV-7 DL PRO Studio Edition The top of the line Direct Linear system

Contains fully advanced editing functions of Direct Linear. Various additional functions include Infinity Roll, Vari Speed, Advanced Title Effects, etc. to make your Direct Linear even more effective.

Infinity Roll

Bounce the result of AB roll editing to the main track. This makes further inserts of video above AB possible (e.g., a third camera input). The A and B tracks can continue to be easily adjusted after bouncing since the transition points (dissolves) are kept intact on the main track.



Advanced Title FX

Zoom, Stretch, Blur and Rotation Effects are added as part of Title In/Out effects. In addition, more complex movement can be applied within Title In/Out setup.



Vari Speed

Vari Speed has been added as a new Video FX. A graph-like user interface allows you to control slow or fast motion variably using key-framing.



Vector Scope + Waveform Monitor

On screen Vector scope and Waveform monitors are included for more precise adjustment if Real-Time Color Correction.



Double Audio Effects

Apply double effects to audio clips. Combinations like EQ + Reverb, Mixer + Comp and others will make your audio tracks more expressive.



Comparison Chart	DV-7DL G	DV-7DL PRO	DV-7DL PRO Studio Edition
AB Roll editing function	No	Yes	Yes (Infinity Roll)
Zooming / Panning of still image	No	Yes	Yes (Expanded Version)
Transition Effects	2 types	18 types	24 types
Filter Effects	4 types	13 types	14 types
Composition Effects	3 types	10 types	13 types
Audio Effects	3 types (Single)	9 types (Single)	9 types (Double)
Title In/Out effects	5 types	5 types	13 types
Roll / Crawl Title	No	Yes	Yes
Easy Creation of audio cross fade	No	No	Yes
Vari Speed Video FX creation	No	No	Yes
Interval Frame capture	No	No	Yes
Mode selection of Audio CD preview	No	No	Yes
Auto writing of recorded date as Memo	No	No	Yes
Vector Scope and Waveform Monitor	No	No	Yes

Upgrade Kit

■From DLG to DL PRO: DLG-PRO-N(NTSC), DLG-PRO-P(PAL)
 ■From DL PRO to Studio Edition: DLP-SE-N(NTSC), DLP-SE-P(PAL)
 ■From DLG to Studio Edition: DLG-SE-N(NTSC), DLG-SE-P(PAL)

DV-7 DL PRO Revolutionize your editing workflow

The standard of Direct Linear used in various applications such as broadcast, education, corporate video, etc. The world's first digital AB roll editing function will accelerate your production workflow.



DV-7 DLG The most affordable Direct Linear system

The basic level of Direct Linear with the most affordable price enables the most cost effective yet efficient workflow for your video editing.



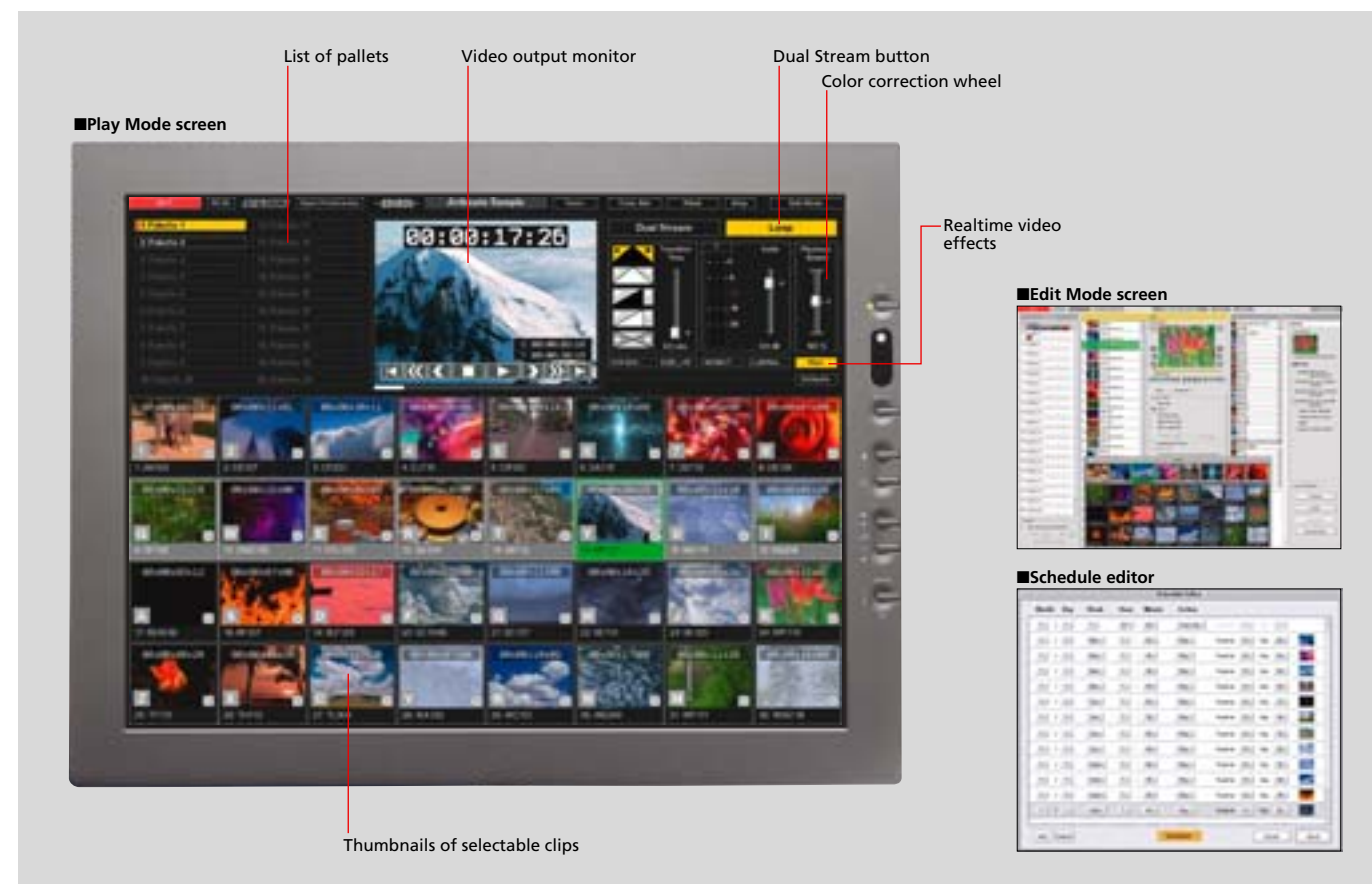
Direct Linear Video Editors

PR-80 Realtime Video Presenter

V-LINK

Dual Stream Realtime DV Presenter and Editor

Innovative real time DV quality video/audio sampler. Instantaneous recall of hundreds of high quality DV video clips. Realtime Digital Direct Linear Editing System.



Playback high-quality video in real time

Play back and switch high-quality DV-format video images in real time.

A variety of Realtime Effects

Up to 4 types of realtime video effects like mirroring, colorize, posterise, etc... can be used simultaneously. Including switching effects for smooth transitions between video images, control of playback speed, resetting of retrigger points, and more.

V-LINK Connection

Use the V-LINK function to exhibit video during musical performances, create virtual clips of live video sources with the V-4 (video mixer) control, use the Presenter Control for simple and easy coordination of multiple PR-80s and DV-7PRs, and more.

A variety of External Control Functions

Not only can you use the keyboard and mouse, you can use the RS-232C port, optional touch screen, or use the optional DV-7DL Controller, and more. In addition, import and export DV clips and user-define masks via LAN.

Dual-stream Playback

Play back two pieces of video at the same time - cross dissolve, mix or even key one over the other (luminance and chroma keys are supported).

Automatic Operations with the Scheduler

Use the Scheduler to have the PR-80 automatically perform a variety of function, such as playing back data, stopping, synchronizing times over a network, or starting up at a predetermined time.



PR-80 Specifications
Supported TV Systems: NTSC or PAL (Differing according to regional specifications) **Video Format:** DV format **Audio Format:** PCM (16-bit, 48kHz) **Input/Output Connectors (Front):** Video input/output=DV jack (i.LINK) 4-pin type (conforms to IEEE1394), Audio output, Headphones jack stereo 1/4 inch phone type (Rear): Video input/output=DV Jack (i.LINK) 4-pin type (conforms to IEEE1394), Video input, S-Video 4-pin mini DIN type (Y: 1.0Vp-p, C: 0.286Vp-p, 75ohm), Composite RCA phono type (1.0Vp-p, 75ohm), Audio input (L, R), RCA phono type, Video output, S-Video output 4-pin mini DIN type (Y: 1.0Vp-p, C: 0.286Vp-p, 75ohm), Composite RCA phono type (1.0Vp-p, 75ohm), Audio output (L, R), RCA phono type **Storage Devices:** Internal Hard Disk Drive 80GB (for system program and data storage) **Expansion Slot:** Removable Hard Disk 1 slot (for optional DV-HD series), CD-ROM Drive **Control Interfaces:** PS/2 6-pin mini DIN type x 2 (for mouse and keyboard), LAN Port 10/100 Base-T x 1 **Serial Port:** RS-232C x 1 **USB:** A type x 4 (for optional controller, card reader, and MIDI interfaces) **Display Output:** HD DB-15 type (Analog RGB, resolution 1024 x 768 fixed) **Power Supply:** AC 117V, AC 230V, AC 240V (50/60Hz), AC 220V (60Hz) **Power Consumption:** 90W **Dimensions:** 360 (W) x 420 (D) x 130 (H) mm **Weight:** 8.5kg **Accessories:** Mouse (PS/2), Mouse Pad, DV Cable, DV-7DLC Template Sheet **Options:** Video Editing Controller: DV-7DLC, Removable Hard Disk: DV-HD120, USB Card Reader: DL-CR1

PR-50 Realtime Video Presenter

V-LINK

Stunning visual performances anywhere.

The PR-50 is a truly affordable video performance system designed for visual performances or video display in retail, concerts, churches, trade shows, and seminars.



Play back and switch high quality DV images in real time.

The PR-50 is a unique video display and performance system designed for video display or visual performances used in retail, concerts, churches, trade shows, hotels, convention centers and seminars. The internal and removable hard-drive storage format is DV so display quality remains very high - ideal for plasma and large display applications.

Many ways to import video.

You can import video materials into a PR-50 from DV or analog video decks or via the DV output from a computer. The CD-ROM, network functions and digital video connections mean lossless transfer of video material or image stills created on computers and digital cameras.

Network port (10/100BASE-T).

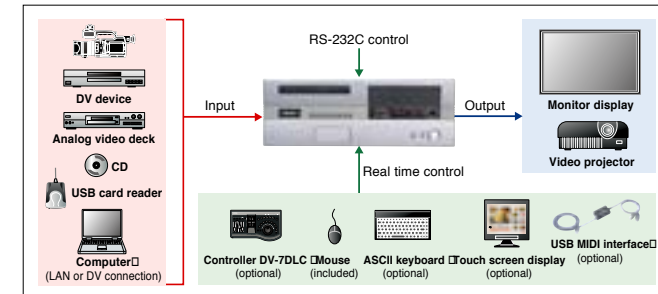
Using standard TCP/IP networking enables to you to copy materials from computers connected to a network.

Many different external control options.

The PR-50 can be controlled in many different ways. Use the DV-7DLC controller (optional) or USB MIDI interface (optional), RS-232C port, optional touch screen or MIDI keyboard. With V-LINK it is easy to link video to musical performances. Create virtual clips of live video sources with the V-4 video mixer control, use multiple PR-50s and DV-7PRs synched via MIDI, work with multichannel audio sources from the Roland AR series and more.



Connections



V-LINK is a function that makes it easy to "perform video" in conjunction with music. It's easy to use a V-LINK compatible device to remotely control the PR-50. V-LINK lets you perform a wide variety of video effects that are linked with your musical performance.

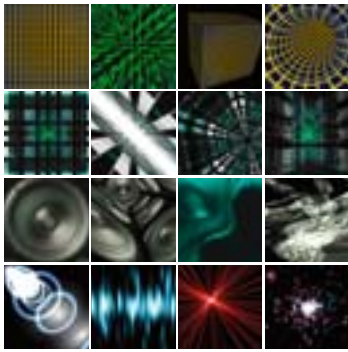


PR-50 Specifications
Supported TV Systems: NTSC or PAL (Differing according to regional specifications) **Video Format:** DV format **Audio Format:** PCM (16-bit, 48kHz) **Input/Output Connectors (Front):** Video input/output=DV jack (i.LINK) 4-pin type (conforms to IEEE1394), Audio output, Headphones jack stereo 1/4 inch phone type (Rear): Video input/output=DV Jack (i.LINK) 4-pin type (conforms to IEEE1394), Video input, S-Video 4-pin mini DIN type (Y: 1.0Vp-p, C: 0.286Vp-p, 75ohm), Composite RCA phono type (1.0Vp-p, 75ohm), Audio input (L, R), RCA phono type, Video output, S-Video output 4-pin mini DIN type (Y: 1.0Vp-p, C: 0.286Vp-p, 75ohm), Composite RCA phono type (1.0Vp-p, 75ohm), Audio output (L, R), RCA phono type **Storage Devices:** Internal Hard Disk Drive 80GB (for system program and data storage) **Expansion Slot:** Removable Hard Disk 1 slot (for optional DV-HD series), CD-ROM Drive **Control Interfaces:** PS/2 6-pin mini DIN type x 2 (for mouse and keyboard), LAN Port 10/100 Base-T x 1 **Serial Port:** RS-232C x 1 **USB:** A type x 4 (for optional controller, card reader, and MIDI interfaces) **Display Output:** HD DB-15 type (Analog RGB, resolution 1024 x 768 fixed) **Power Supply:** AC 117V, AC 230V, AC 240V (50/60Hz), AC 220V (60Hz) **Power Consumption:** 90W **Dimensions:** 360 (W) x 420 (D) x 130 (H) mm **Weight:** 8.5kg **Accessories:** Mouse (PS/2), Mouse Pad, DV Cable, DV-7DLC Template Sheet **Options:** Video Editing Controller: DV-7DLC, Removable Hard Disk: DV-HD120, USB Card Reader: DL-CR1

CG-8 Visual Synthesizer

See the sound. Hear the visuals.

A visual synthesizer like the world has never seen.
3D visual performance - all controllable in real-time



Amazing range of effects and parameters

Features more than 260 dramatic visual effects. These effects in combination with a variety of controllable parameters, like X/Y/Z axis control, Color, and Speed, create amazing moving images easily and quickly.

Tactile control surface to trigger images

Equipped with drum machine-like pads with the coolest blue illumination. 16 pads let you trigger visuals instantly.

Synth like visual controls

A touch-sensitive synth-like XY pad and twin infra-red D-Beams gives you real hands on control of the visual effects.

Modulation controls

World's first modulation control of visual effect. A wide range of modulation wave forms and controllable depth give you the greatest freedom for visual synthesis.

Control from musical instruments

With MIDI and V-LINK capability, the CG-8 can be externally controlled by any musician-friendly device such as keyboard controllers, V-Synth or V-Drums.

Sync to the Audio

Enables the visuals to be controlled and synchronized with an audio source. Frequency and peak detection allow the visual output to animate itself to the incoming beat.

2 separate layers of images

Enables overlay of a 3D moving title, logo or icon on a background moving image. 3D motion to the overlay can be set independently of the background.



Specifications
[Output Format] Video: NTSC or PAL • **[RGB]:** VGA (640 x 480) 24 bit full color, • **[Output Jacks]** Video: S-Video (4-pin mini DIN type), Composite (RCA Pin type) • **[RGB]:** 15 pin mini D-Sub type (Analog), • **[Interfaces]** MIDI (In, Out/Thru), Footswitch, Audio Input (stereo RCA pin type), Option (for included Memory Card Adaptor), • **[Effects]** Photo: more than 200 types • **[Overlay]** Photo: more than 60 types, • **[Projects]** Number of Photo patches: up to 128 per project • **[Number of Stamp patches]:** up to 128 per project • **[Number of Photos]:** up to 48 per project, • **[Storage Device]** Internal: Hard Disk Drive • **[External]:** CompactFlash(TM), • **[General]** • **[Power Supply]:** AC117V, AC230V, AC240V (50/60Hz), • **[Power Consumption]:** 80W • **[Dimensions]:** 453(W) x 323(D) x 108(H) mm, 17-7/8(W) x 12-3/4(D) x 4-1/4(H) inches • **[Weight]:** 5.8kg / 12lbs 13oz • **[Accessories]:** AC cord, Memory Card Adaptor • **[Options]:** Roland PM-128-CF (CompactFlash Card), Roland DP-2 / DP-6 (Footswitch), Roland EV-5 / EV-7 (Expression Pedal)

P-1 Photo Presenter

V-LINK USB

Never before has there been such an easy way to add visuals to your live performances.

An incredible photo player with MP3 or MIDI file playback. With its large touch-screen user interface the P-1 is ideal for VJ performances or visual events.



The P-1 is an incredible new photo player for visual performance, audio & MIDI playback.

Audio can also be linked to picture files, allowing the P-1 to playback appropriate music or commentary for the selected image. The P-1 has both line & mic input, allowing the user to record audio directly into the P-1. Pictures can also be loaded directly into the P-1 from the PC memory card or via USB, allowing you to quickly import pictures from your digital camera for your performance or presentation.

Built-in title maker.

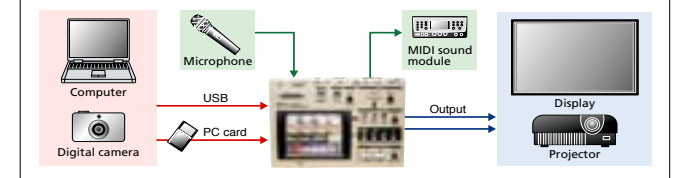
The P-1 has a built in virtual keyboard for creating titles. You can key them over your pictures for captions, announcements, names of performers, and any other purpose - all without the need of a computer.



Support for MP3 and MIDI.

The P-1 supports both MP3 and MIDI. The VariPhrase technology allows you to freely and independently control the tempo and pitch of MP3 playback. It includes a tempo control knob for adjusting the playback speed in real time, and images can be triggered in time with the sequence for a more impressive performance. This lets you modify the character of the music appropriately for your situation. The P-1 is also ideal as a MIDI sequence player.

Connections



Using the P-1 with the V-1.

The P-1 and the V-1 4-channel video mixer are the same size and follow the same design concept. By using the P-1 in conjunction with the V-1 you can overlay titles on live scenes of the performance.

V-LINK is a function that makes it easy to "perform video" in conjunction with music. It's easy to use a V-LINK compatible device to remotely control the P-1. V-LINK lets you perform a wide variety of video effects that are linked with your musical performance.



P-1 Specifications

• **Video Format:** NTSC or PAL • **Display:** 320 x 240dots, 5.7 inch Color Graphic LCD with Touch Panel • **Video Output:** Composite=RCA phono type S-Video=4-pin mini DIN type • **Audio Input:** LINE RCA phono type, MIC 1/4 inch phono type • **Audio Output:** LINE RCA phono type, PHONES stereo miniature phono type • **MIDI IN:** 5-pin DIN type • **MIDI OUT:** 5-pin DIN type • **USB:** Ver. 1.1 (mass storage, supports Windows and Macintosh), PC Card (supports PC card adaptors for Microdrive, SmartMedia, CompactFlash, etc.) • **Maximum Photos:** 240 photos total up to 75 photos (NTSC) / 53 photos (PAL) per album • **Maximum Narrations:** 240 narrations • **Memory:** 64MB (Flash ROM) • **File Format:** JPEG, BMP, WAV • **Power Supply:** DC 9V (AC Adaptor) • **Current Draw:** 800mA • **Dimensions (folding bottom stand):** 294 (W) x 218 (D) x 87 (H) mm • **Weight (excluding AC Adaptor):** 2.2kg • **Accessories:** Photo/Sound/BGM CD-ROM, S-Video Cable (1.5m)

RG-100 Realtime Graphics Presenter

Generate dynamic 3D images from simple still images with the RG-100. The RG-100 is ideal for display installations of any size and when you want to show content at the higher display rates native to most modern plasma/LCD/projector display technology.



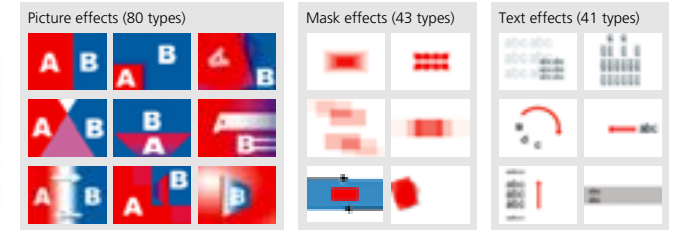
Impressive and dynamic 3D images from simple still pictures.

The RG-100 is an all-in-one visual editor and player that imports high quality stills, manipulates them in real time and outputs via the XGA port. Through the easy-to-use interface, which shares the XGA (1,024x768 pixels) output, text, 2-D/3-D transitions, audio, and even MIDI content can be placed onto a timeline. The result is instantaneous, pristine XGA graphics and stereo audio.

Easy operation.

Everybody can easily create 3D images via mouse. Deep skill or experience is not needed. Just choose a template and drag and drop still pictures onto it. You will not believe how such simple operations can give such impressive results.

Insertion effects



Real time playback and built-in scheduler.

The RG-100 can playback moving images in real time with the manual movie play button. The RG-100 also has a built in scheduler for managing timed output. You can program your image sequence by date and time, as well as setting auto shut down or reboots. For even greater flexibility the unit is also controllable via the rear RS-232 port or control I/O terminals.

RG-100 Specifications

• **Front Panel:** Display (7segment, 4digit), Indicators (SUN, MON, TUE, WED, THU, FRI, SAT, CARD ACCESS, HDD ACCESS), Controls (WEEKLY, DAILY, 1, DAILY 2, MOVIE, 1, 2, 3, 4, 5, 6, 7, 8, EXIT, MENU, MODE, INC, DEC, ENTER, INFO, MUTE, SHUTDOWN, CARD LOAD & PLAY), Card slot (CompactFlash), Volume control (INPUT volume, OUTPUT volume), MOUSE connector, POWER switch • **Rear Panel:** AUDIO IN jacks L, R (RCA phono type), AUDIO OUT jacks L, R (RCA phono type), Remote control terminal, Serial Port (RS-232C), DISPLAY connector=15-pin mini D-SUB type (Analog RGB, 1,024 X 768 resolution fixed), OPTION connector (for UM-1X), AC inlet • **[Software]** • **Display Size:** XGA (1,024 X 768) • **[Tracks:** Image=2 tracks (Photo, Stamp/Text), Sound=1 track (Stereo), MIDI=1 track (Optional use) • **[Effects (including vertical types, horizontal types):** Photo effects=80 types, Stamp effects=43 types, Text effects=41 types • **[Data Structure:** 1 Project holds up to 64 palettes and Scheduler function. 1 Palettes holds up to 8 movies using the following materials. Photo (.JPG)=16, Mask (.PNG)=16, Text (.TXT)=16, Sound (.WAV or .PHR)=16, MIDI (.MID)=16 • **[Schedules:** Daily=Set up to 10 schedules. Weekly=One routine can be set (using daily schedules). Daily=Two routines can be set (using daily schedules).

R-4 4 Channel Portable Recorder and Wave Editor

Introducing the new generation portable recorder

Superior Sound and Extended Recording Time with 40GB Hard Disk Drive 4-Channel Portable Recorder for Professional Use



Advanced Recording

Extended Recording with 40GB Hard Disk Drive

Equipped with a 40GB hard disk drive, the R-4 can record up to 17 hours at maximum sound quality or up to 58 hours at CD quality.

Superior 24-bit/96-kHz Linear Recording

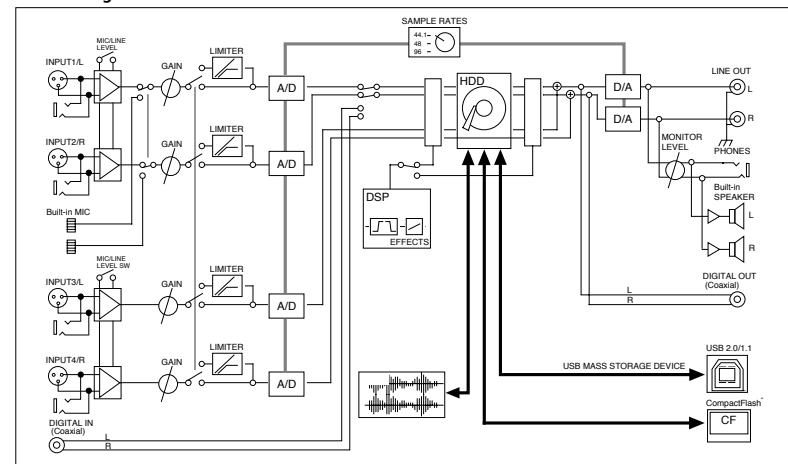
Totally uncompressed recording assures outstanding sound quality. Choose 16-bit or 24-bit quantization and a sampling rate of 44.1 kHz, 48 kHz, or 96 kHz. Save data as WAV files.

Recording Time (approx.) (Stereo)		
16-bit/44.1-kHz	16-bit/48-kHz	24-bit/96-kHz
58 hours	53 hours	17 hours

Simultaneous 4-Channel Recording

The 4 XLR/Phone combo jacks come with switchable phantom power and give you a choice of MONO, STEREO, STEREO X2, or 4CH recording. Digital input/output is also provided. Four-channel recording gives you exceptional flexibility. For example, you can use mics to capture the ambience of a performance hall while using line input to record the performance itself. Or you can record at several different level settings simultaneously.

Block Diagram



Wave Editing

Waveform Editing Using Only the R-4

The R-4 is all you need to edit waveforms. Just watch the waveform on the LCD as you edit. Scrubbing playback with the shuttle dial lets you set the edit points precisely by sound.



Waveform Editing Functions

Trim (Delete)	Select two points and remove the waveform between them
Divide (Split)	Select one point and divide the file there
Combine (Append)	Combine a file with the one before it
Merge (Bounce)	Merge several channels into one

Easy Playback

Index Any Point Instantly

Press the mark button anytime during recording or playback to mark that point for easy, instant indexing later. With the A-B repeat function you can set two points and repeatedly play back the material between them.

Easy Playback with the Jog Dial

Use the jog dial to fast-forward or rewind at any of seven speed levels.

Built-In Stereo Speakers

The R-4's built-in speakers make it easy to monitor recorded sound without headphones.

Computer Linking

USB 2.0 Terminal Provides a High-Speed Computer Data Link

The USB 2.0 high-speed mode transfers data about 20 times faster than DAT. You can also use the R-4 as a 40GB storage device. Edit R-4 files directly from DAWs and other applications.

Advanced Linking with the EDIROL DV-7DL

A USB cable is all you need to connect directly to an EDIROL DV-7DL Video Editor and exchange files.

CompactFlash™ Slot

The CompactFlash™ slot makes it easy to read or write recorded files. You can use CompactFlash™ memory to give data to colleagues or to transfer data to equipment not equipped with a USB interface.



R-4 Specifications

Signal Part
[Input]-Connectors: Channel 1/2 3/4: XLR/PHONE type (phantom powered: XLR only)
-Impedance: 4 k Ohms or more **-Frequency Response:** 44.1 kHz: 20 Hz to 20 kHz (0 dB/-2 dB), 48 kHz: 20 Hz to 22 kHz (0 dB/-2 dB), 96 kHz: 20 Hz to 40 kHz (0 dB/-3 dB)
-Nominal Input Level: Channel 1, 2, 3, 4: -60 to +4 dBu (variable) **[Output]**
-Connectors: RCA phono type (L, R) **-Headphones Jack:** Stereo 1/4 inch Phone Type
-Impedance: L, R: 950 Ohms, PHONES: 10 Ohms **-Output Level:** L, R: -7.8 dBu (-10 dBV) PHONES: 30 mW + 30 mW (32 Ohms load) **[Digital Input/Output]**
-Connectors: Digital Output Jacks: Coaxial Type (conform to IEC60958), Digital Input Jacks: Coaxial Type (conform to IEC60958) **[Other Connectors]-USB Connector:** B Type **-L-connector:** Mini-Miniature Phone Type *Receive Only **-Card Slot:** CompactFlash™ **[Effect Unit]-Tone Control:** Shelving EQ, Graphic EQ, Enhancer, Noise Reducer, Compressor* 96 kHz: Invalid
Control
-Controls: Input Gain Knobs (CH1, CH2, CH3, CH4), Input Level Switch (CH1/2, LINE, MIC), Input Level Switch (CH3/4, LINE, MIC), Monitor Knob, Jog Shuttle, Transport Buttons (PREV, NEXT, STOP, PAUSE, PLAY, REC), Function Buttons, Hold Switch, Phantom Switch (CH1/2, CH3/4), Limiter Switch **-Display:** 128 x 64 Graphic LCD
Signal Processing
[Bit Depth]-AD/DA Conversion: 24 bits **-Headroom:** 12 dB **[Sample Rate]-AD/DA Conversion:** 44.1 / 48 / 96 kHz **-Digital Output:** 44.1 / 48 / 96 kHz **-Digital Input:** 32 kHz to 96 kHz (convert to internal sample rate)
Others
-Hard Disk Drive Capacity: 40 GBytes **-Recording Time:** 16 bits 44.1 kHz: 58 hours, 16 bits 48 kHz: 53 hours, 24 bits 96 kHz: 17 hours **-Power Supply:** DC 9 V (AC adaptor), AA battery x 8 **-Dimensions, Weight:** 254 (W) x 221.8 (D) x 72.2 (H) mm, 1.7 kg **-Accessories:** USB Cable, AC Adaptor (PSB-1U), AC Cord, Owner's Manual, Carrying Case

VMC-1 Video Optimizer/Media Converter

The best way to convert all your videos to a digital format... and vice versa.

With the VMC-1, you can adjust brightness, color, hue, and contrast for the best picture quality. The VMC-1 is also equipped with a 3D Y/C control and the built-in Time Base Corrector & Frame Synchronizer will ensure that you never lose a frame of your video in the conversion process.



The VMC-1 is the best way to ensure quality video when converting between analog and digital.

The VMC-1 provides a resolution of 10 bit for video decoding and encoding, and 24 bit for audio AD/DA conversion. The VMC-1 can digitalize an old analog video image at the best quality.

Makes corrections in real time while watching the image (Available only for analog input.)

The VMC-1 provides real time color correction, TBC (Time Base Corrector), Motion adaptive 3D Y/C separator (which compares the same scan lines of the preceding and following frames to separate the brightness and color signals with high precision) and AGC (Auto Gain Control).

Color corrections

Eliminates jitter
The TBC cleans up the jitter caused by inaccuracies in head or tape rotation or due to degradation of the analog video signal. (Available only for analog input.)

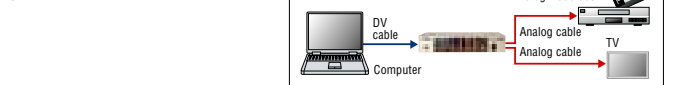
Reduces color smearing and graininess
Motion adaptive 3D Y/C separator determines whether the image is moving or stationary to minimize unwanted noise or blurring. (Available only for composite input in NTSC mode.)

Corrects over-exposed whites or under-exposed blacks
The image from a consumer analog video camera may not have the optimal brightness. The AGC function corrects this problem by automatically optimizing the brightness. (available only for analog input.)

Makes corrections for lack of color brightness
The VMC-1's image correction capabilities (brightness, intensity, hue, contrast) minimizes inconsistencies in the image and improve the overall quality in real time.

Support for many different applications. Up to 5 video outputs available.

Whether you're outputting from your DV camera to copy tapes, or taking your archive of videos and moving them over to a digital format, the VMC-1 will save you valuable time and ensure the utmost in quality in the transfer through the real time controls available. The VMC-1 gives you up to 5 video outputs (2 composite out, 2 S-Video out, 1 DV out) in the case of analog input. You can make conversions while monitoring the image, or the VMC-1 can be used for parallel conversion.



Locked audio function

The locked audio function prevents video and audio from drifting out of synchronization which often occurs when converting from analog to digital.

VMC-1 Specifications
-Video Processing: NTSC or PAL **-Video Compression Method:** Native DV format **-Video Sampling Rate:** 13.5MHz, 4:2:2 (Y:B-Y:R-Y) **-8-bit, Video A/D, D/A Conversion:** 10-bit **-Audio Sampling Rate:** 48kHz/16-bit or 32kHz/12-bit **-Audio A/D, D/A Conversion:** 24-bit **-Audio Frequency Response:** 48kHz: 20Hz to 20kHz (-3/0dB), 32kHz: 20Hz to 15kHz (-3/0dB) **-Audio Nominal Input Level:** -10dBu **-Audio Input Impedance:** 100k ohm **-Audio Non-Clipping Maximum Input Level:** -3.5dBu **-Audio Nominal Output Level:** -10dBu **-Audio Output Impedance:** 1k ohm **-Audio Non-Clipping Maximum Output Level:** -3.5dBu **-Audio Total Harmonic Distortion:** 0.05% or less (1kHz, Nominal output level) **-Audio Residual Noise Level:** -70dBu (DIN-AUDIO, 1kHz, Nominal output level, IHF-A type) **-Audio Channel Separation:** -70dBu (DIN-AUDIO, 1kHz, Nominal output level, IHF-A type) **-Input/Output Connectors:** (Front) DV connector (i.LINK), 4-pin connector (conforms to IEEE1394), 4-pin connector (conforms to IEEE1394), (Rear) DV connector (i.LINK)=4-pin connector (conforms to IEEE1394), S-Video input=4-pin mini DIN type (Y: 1.0Vp-p, C: 0.286Vp-p, 75ohm), Video input=RCA phono type, S-Video output x 2=4-pin mini DIN type (Y: 1.0Vp-p, C: 0.286Vp-p, 75ohm), Video output x 2=RCA phono type (1.0Vp-p, 75ohm), Audio output (L, R) x 2=RCA phono type **-Power Supply:** DC 9V (AC Adaptor) **-Current Draw:** 800mA **-Dimensions:** 218.0 (W) x 173.4 (D) x 46.4 (H) mm **-Weight:** 900g (excluding AC Adaptor) **-Accessories:** AC Adaptor * 0dBu = 0.775Vrms

Options

A dedicated editing controller that gives an analog feel to audio and video editing.



DV-7DLC
DV-7DL Controller

Capable of approximately 9 hours of recording time.



DV-HD120
Removable Hard Disk

High quality headphones for audio monitoring.



RH-200
Stereo Headphones
Roland®

High quality microphone for narration.



DR-50
Dynamic Microphone
Roland®

For stereo recording in the field.



CS-50
Stereo Shotgun Microphone
*This microphone requires phantom power supply.

Condenser Microphone for Pro quality recording.



DR-80C
Condenser Microphone
Roland®
*This microphone requires phantom power supply.



EDIROL

by Roland



*The DV-7DL Series is installed with software licensed by the following companies: Be Incorporated/Agfa Monotype Corporation. *Be, BeOS, and BeOS logos are trademarks or registered trademarks of Be Incorporated in the United States and other countries. *i.Link and i.Link logo are registered trademarks of Sony Corporation. *CompactFlash is a trademark of SanDisk Corporation and licensed by CompactFlash association. *Roland Corporation is an authorized licensee of the CompactFlash™ trademark. *Windows® is known officially as: "Microsoft® Windows® operating system." *Mac OS is a trademark of Apple Computer, inc.

EDIROL
by Roland
www.edirol.net

Roland
WE DESIGN THE FUTURE
www.roland.com