

# Daylight Par 575W

## SPECIFICATIONS

Capacity	575W
Voltage	220-240V
Protective Lens Dia.	175mm(7 in.)
Par Lens Dia.	175mm(7 in.)
Weight(w/o barndoor)	5.2kg
Weight(w/ barndoor)	5.8kg
Lamp Type	575W SE 5600°K
Lamp Holder	G22
Stirrup	16mm(5/8 in.) socket
Class / IP Rating	I / 23
Max. Surface Temp.	160°C
Max. Ambient Temp.	45°C
Min. Distance to Illuminated Object	3m
Min. Distance to Flammable Object	0.5m
Operating Range	45° - 0° - 45°



Daylight Par 575W

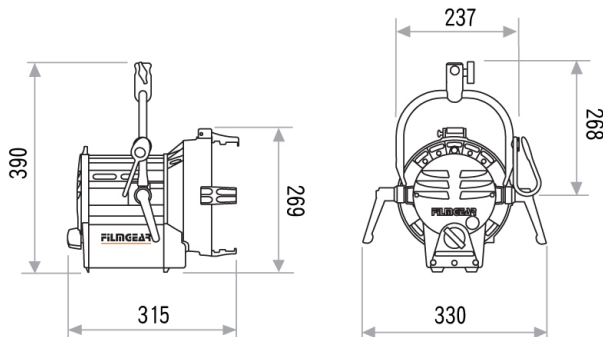
## PHOTOMETRIC DATA

575W Bulb		Spot 9°	Medium Flood 10° x 20°	Wide Flood 20° x 45°	Super W.Flood 40°	Frosted S.Flood 35°
3m	Lux Beam ø	83636 0.47m	33947 0.52 x 1.06m	9516 1.06 x 2.49m	7272 2.18m	5331 1.89m
5m	Lux Beam ø	30098 0.79m	12221 0.87 x 1.76m	3426 1.76 x 4.14m	2618 3.64m	1919 3.15m
7m	Lux Beam ø	15356 1.10m	6235 1.22 x 2.47m	1748 2.47 x 5.80m	1336 5.10m	979 4.41m

## PACKAGE CONTENTS

- Aluminium lamp housing with
- 4-leaf rotatable barndoor with safety wire
- 175mm(7 in.) protective lens
- Set of 5 par lenses 175mm(7 in.) with frames
- Lens case
- G22 lampholder
- Igniter
- Cable with multipin connector
- Stirrup with 16mm(5/8 in.) socket

## DIMENSIONS(mm)



## ACCESSORIES (Optional)

- 575W/400W Electronic ballast
- 800W/575W Electronic ballast
- 800W/575W Electronic ballast with PFC
- 1.2kW/575W Electronic ballast
- 1.2kW/575W Electronic ballast with PFC
- 1.2kW/575W Electronic ballast with PFC and DMX
- Head to ballast cable 7m(23 ft.)
- Head to ballast cable 15m(49 ft.)
- 4-leaf rotatable barndoor
- Set of 5 par lenses 175mm(7 in.) with frames :
  - Spot lens
  - Medium flood lens
  - Wide flood lens
  - Super wide flood lens
  - Frosted super flood lens
- Lens case
- Set of 4 scrims 197mm(7-3/4 in.):
  - Full Single Scrim
  - Full Double Scrim
  - Half Single Scrim
  - Half Double Scrim
- Carrying bag for 197mm(7-3/4 in.) scrim set
- Safety wire