

O-Rig



Part No. C1257-0001
C1257-0003

Copyright © 2015

All rights reserved.

Original Instructions: English

All rights reserved throughout the world. No part of this document may be stored in a retrieval system, transmitted, copied or reproduced in any way, including, but not limited to, photocopy, photograph, magnetic or other record without the prior agreement and permission in writing of the Vitec Group Plc.

Disclaimer

The information contained in this manual is believed to be correct at the time of printing. Vitec Videocom Ltd reserves the right to make changes to the information or specifications without obligation to notify any person of such revision or changes. Changes will be incorporated in new versions of the publication.

We are making every effort to ensure that our manuals are updated on a regular basis to reflect changes to product specifications and features. Should this manual not contain information on the core functionality of your product, please let us know. You may be able to access the latest revision of this manual from our website.

Vitec Videocom Ltd reserves the right to make changes to product design and functionality without notification.

Trademarks

OConnor® is a registered trademark of the Vitec Group Plc.

All product trademarks and registered trademarks are the property of The Vitec Group Plc.

All other trademarks and registered trademarks are the property of their respective companies.

Published by:

Vitec Videocom Ltd

Supports Technical Publications Department

Western Way, Bury St Edmunds

Suffolk IP33 3TB

United Kingdom

Email: technical.publications@vitecgroup.com

Safety	2
Intended Use and About This Guide	3
Components	4
O-Rig Operating Elements	4
Box Contents	5
O-Rig Baseplate set	5
O-Rig Pro Kit	6
Optional Accessories	8
Installation	9
Camera Installation	9
O-Grips Installation	14
Configuration Examples	15
Mounting to a pan and tilt head	17
Maintenance	18
Technical Specification	19
O-Rig Pro Kit	19
O-Rig Baseplate Set	19
Environmental Data (All Parts)	20

Important information on the safe installation and operation of this product. Read this information before operating the product. For your personal safety, read these instructions. Do not operate the product if you do not understand how to use it safely. Save these instructions for future reference.

Warning Symbols Used in these Instructions

Safety cautions are included in these instructions. These safety instructions must be followed to avoid possible personal injury and avoid possible damage to the product.



WARNING!

Where there is a risk of personal injury or injury to others, comments appear supported by the warning triangle symbol. Where there is a risk of damage to the product, associated equipment, process or surroundings, comments appear supported by the word '**CAUTION**'.

Health and Safety



WARNING! Risk of personal injury or injury to others. All personnel must be fully trained and adhere to correct manual handling techniques and Health & Safety regulations. It is the responsibility of the local organisation to enforce safe working practices at all times.

Installation and Operation



WARNING! Risk of finger entrapment. Do not place fingers between the moving components while adjusting.



WARNING! The camera must always be correctly secured before use.



WARNING! During mounting and dismantling, the O-Rig may become unstable with the payload fitted. Where applicable additional personal should be used to support the O-Rig during this operation.



WARNING! All levers must be secured before use.



CAUTION! Hold the camera securely when mounting or dismantling the O-Rig.



CAUTION! Only attach recommended accessories.

Maintenance



WARNING! The fitting of non-approved parts and or accessories, the carrying out of non-approved alterations or servicing can be dangerous and could affect the safety of the product. It may also invalidate the terms and conditions of the product warranty. For permitted maintenance procedures. See "Maintenance" on page 18.

Intended Use

The OConnor O-Rig is designed to support compatible system cameras, DSLR's & digital cinema cameras with lenses and accessories. It allows trained camera operators to comfortably carry the camera package whilst filming with total flexibility.

It is intended to be used in both studio and outside locations. It is designed to be used in conjunction with OConnor and compatible third party accessories such as a follow focus or mattebox.

About this User Guide

The OConnor O-Rig is designed for use by professional camera operators to support high-performance lightweight cameras, lenses and accessories using the existing 15mm lightweight rod standard for modern cinematography practices.

This user guide covers the installation, configuration and operation of the O-Rig.

The O-Rig is available as two kits:

O-Rig Baseplate set:

- Body pad assembly
- Baseplate
- Height adaptor assembly

O-Rig Pro kit:

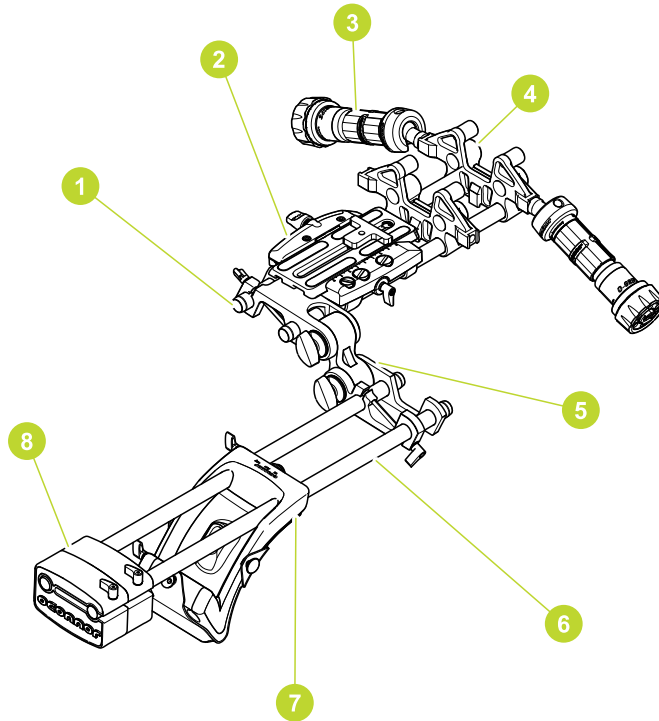
- Baseplate
- O-Grip modules
- Height adaptor assemblies
- Shoulder offset and angle adjustment
- Body pad assembly
- Counter weight assemblies



The complete O-Rig Pro kit is used for illustrations throughout the user guide.

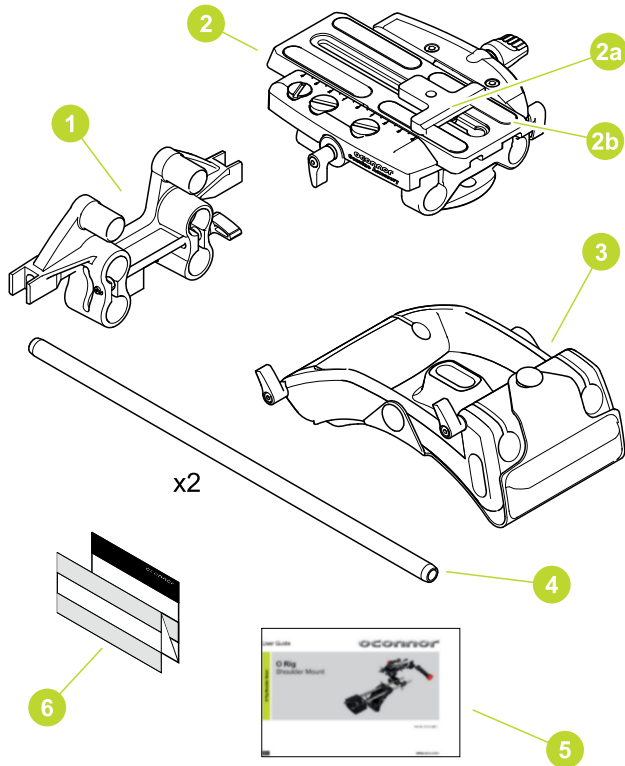
Components

O-Rig Operating Elements



1	12 Inch rods (15mm x 300mm)
2	Baseplate assembly including camera plate
3	O-Grip single module
4	Height adaptor assembly
5	Shoulder offset & angle adjustment
6	18 Inch rods (15mm x 450mm)
7	Body pad assembly
8	Counter weight assembly

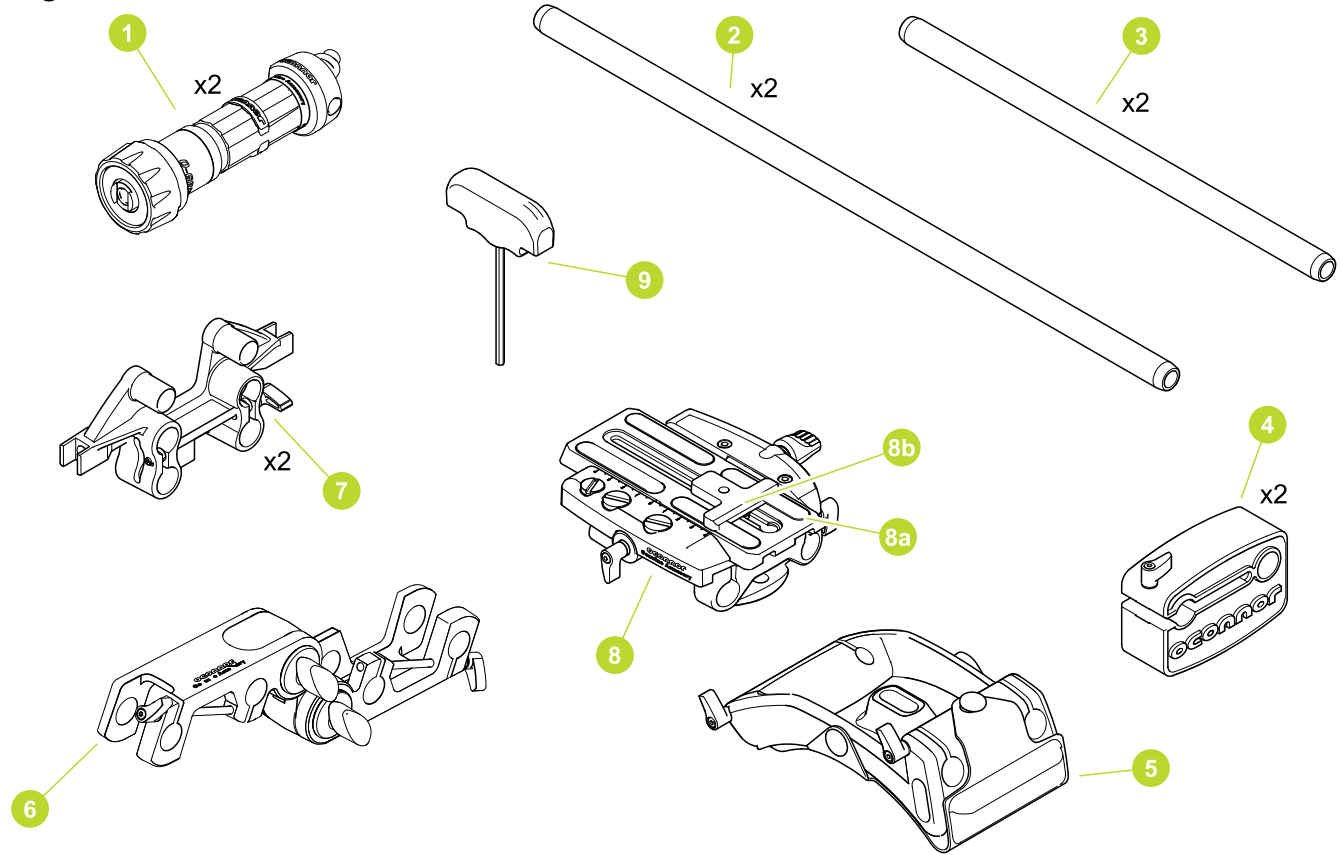
O-Rig Baseplate set

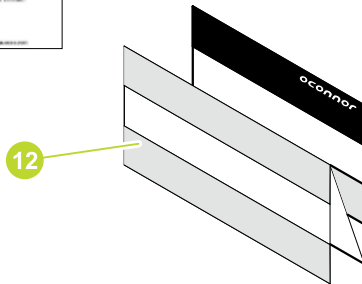
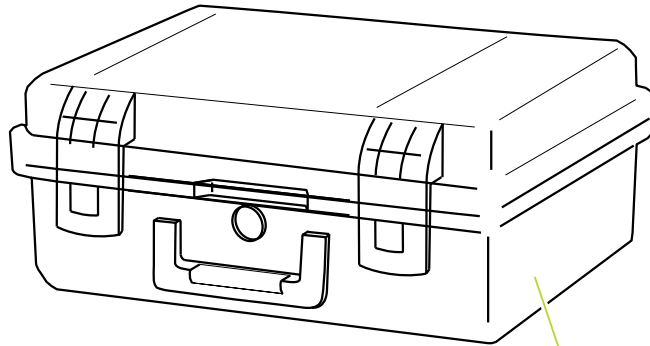


Item	Part No	Description	QTY
1	C1257-1004	Height adaptor assembly	1
2	C1257-1002	Baseplate assembly	1
2a	C1257-2025	Anti rotation slide plate	1
2b	V4045-1008	Slide plate	1
3	C1257-1003	Body pad assembly	1
4	C1245-2040	18 Inch rods (15mm x 450mm)	2
5	C1257-4980	User guide	1
6	C1257-4981	Camera configuration guide	1

Box contents

O-Rig Pro Kit



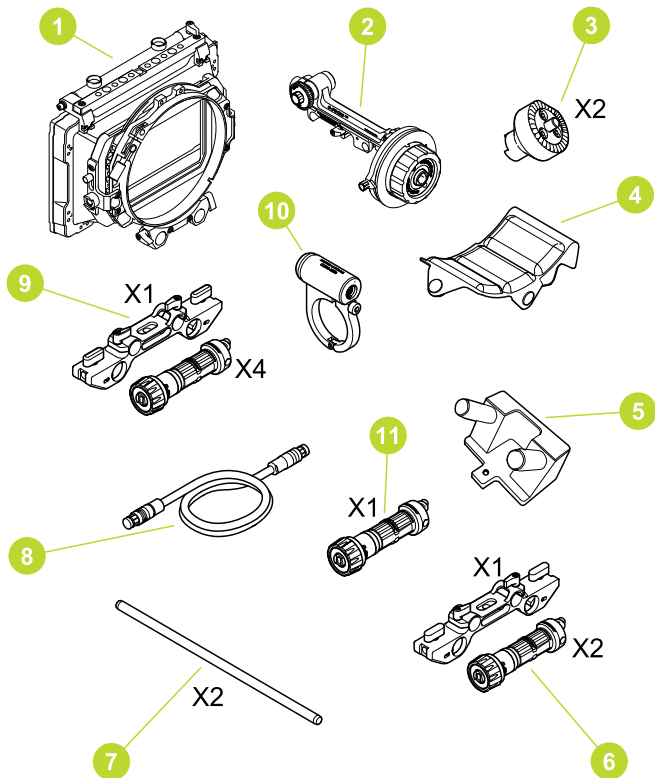


Item	Part No	Description	QTY
1	C1244-1001	O-Grips	2
2	C1245-2040	18 Inch rods (15mm x 450mm)	2
3	C1245-2046	12 Inch rods (15mm x 300mm)	2
4	C1257-1005	Counter weight assembly	2
5	C1257-1003	Body pad assembly	1
6	C1257-1001	Shoulder offset & angle adjustment	1
7	C1257-1004	Height adaptor assembly	2
8	C1257-1002	Baseplate assembly	1
8a	V4045-1008	Slide plate	1
8b	C1257-2025	Anti rotation slide plate	1
9	M805-008	T bar Allen key, 5mm A/F	1
10	C1257-1850	Storm case	1
11	C1257-4980	User guide	1
12	C1257-4981	Camera configuration guide	1

Optional Accessories



All box contents are available as accessories, See "Box contents" on page 6.



Item	Part No	Description
1	C1243-0001	O-Box WM set - LWS 15 mm
	C1243-0002	O-Box deluxe set
2	C1242-0001	O-Focus DM photo lens pro Kit
	C1242-0002	O-Focus DM cine lens pro Kit
3	C1244-1003	Rosette adaptor
4	C1257-1006	Body pad
5	C1257-1009	O-Rig head mount
6	C1244-0001	O-Grips single jointed set
7	C1245-2041	24 Inch rods (15 mm x 600 mm)
8	Vocas connecting cables*	
9	C1244-0002	O-Grips double jointed set
10	C1244-1004	O-Grips switch module
11	C1244-1001	O-Grips single module

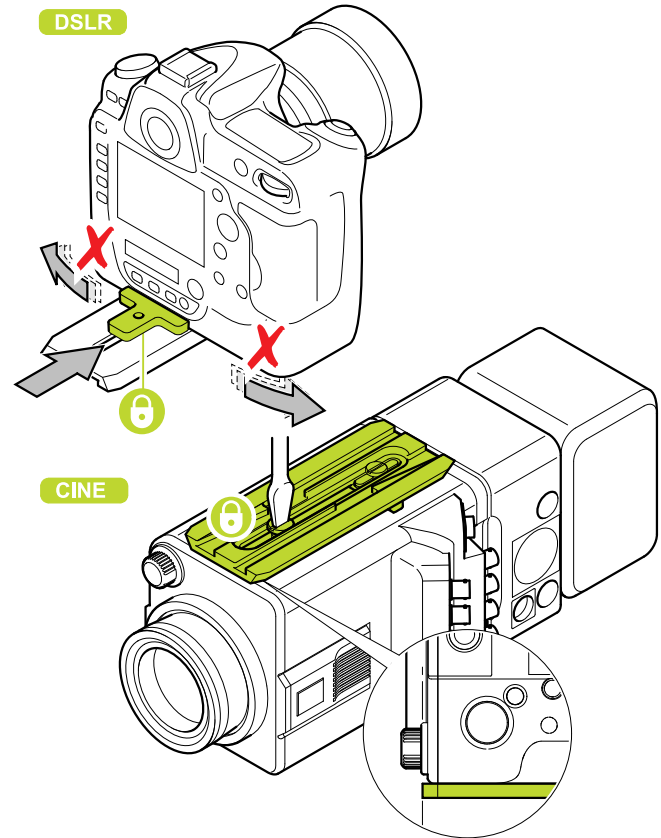
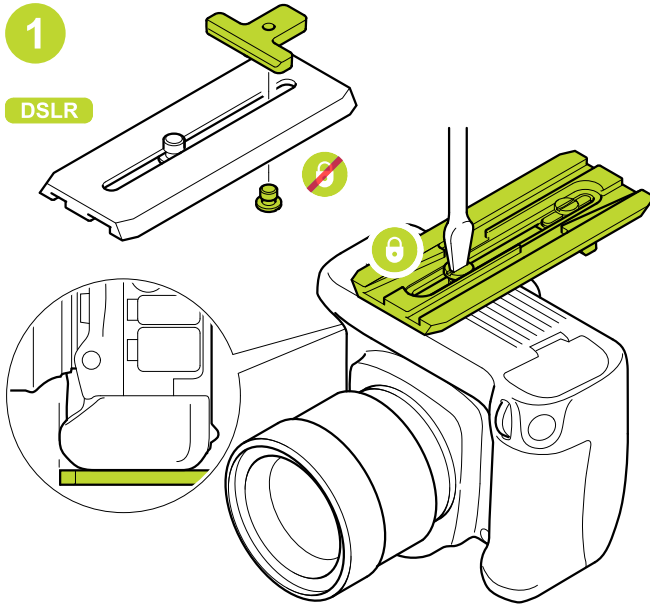
*For Vocas cables see vocas.com

Camera Installation

The following section describes the basic assembly of an O-Rig using all available box contents. Optional accessories have been included for illustration purposes. For specific configurations, See “Configuration Examples” on page 15.

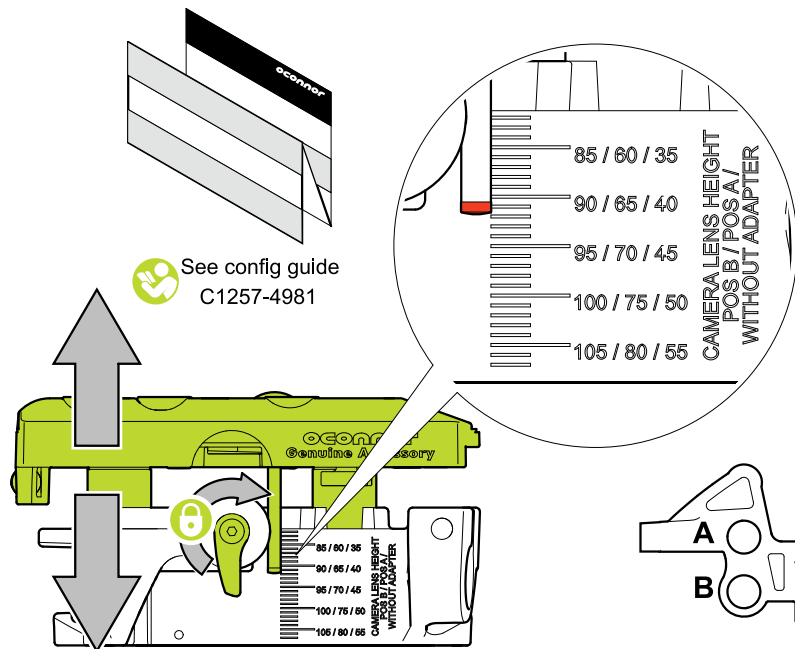


WARNING! Risk of finger entrapment. Do not place fingers between the moving components while adjusting.

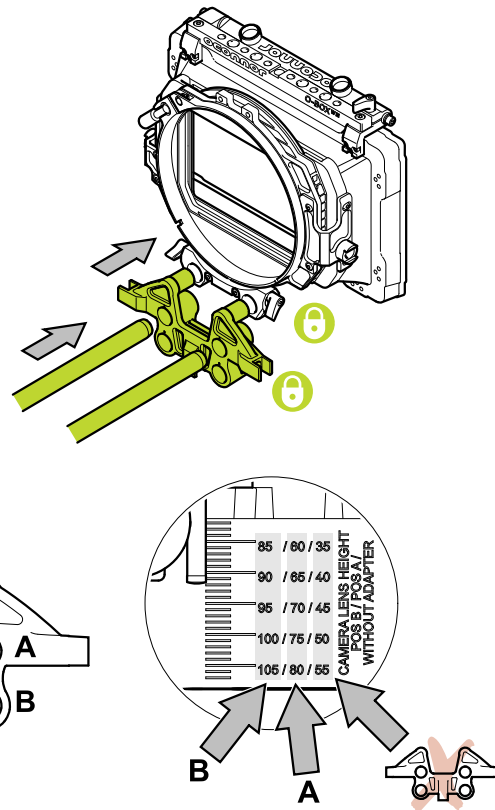


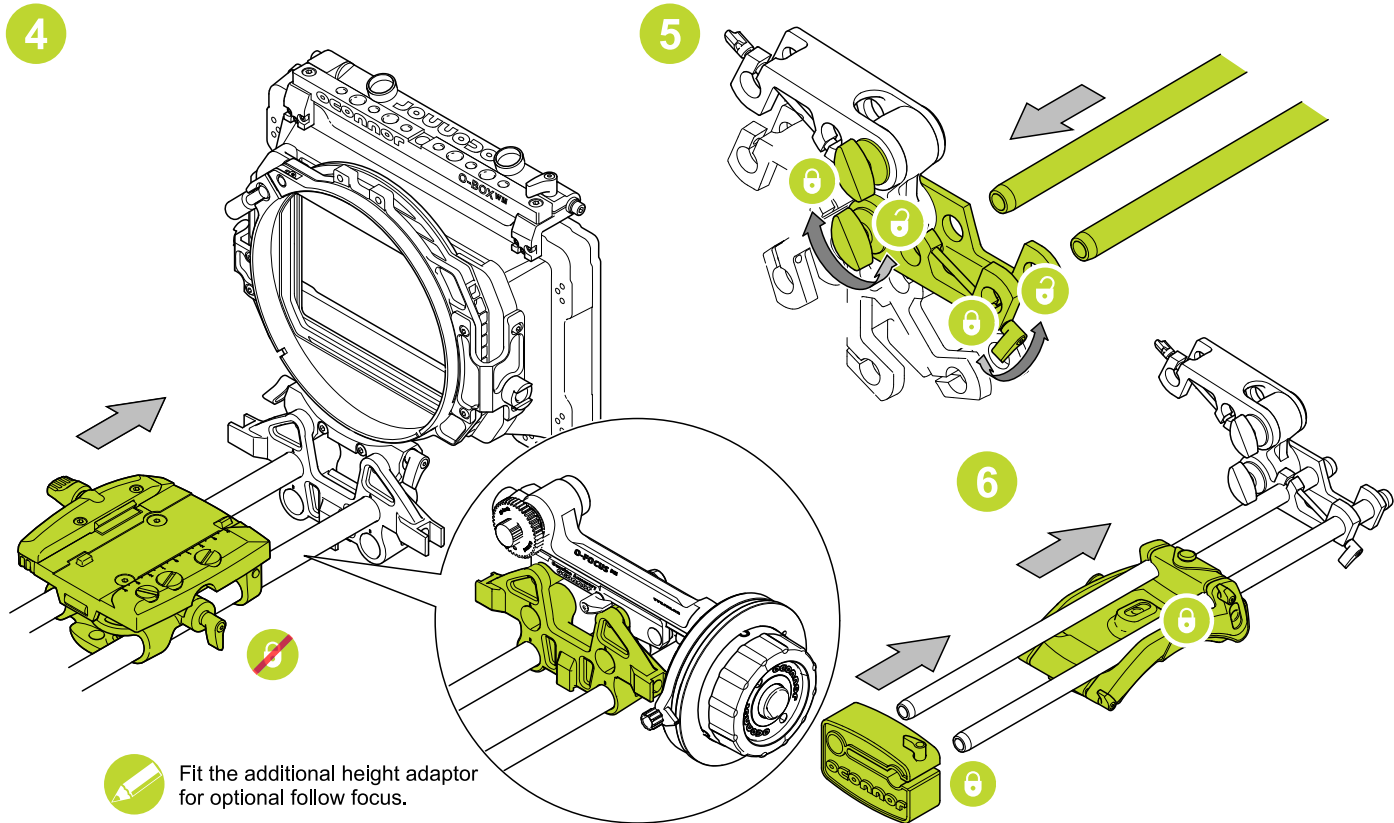
Installation

2

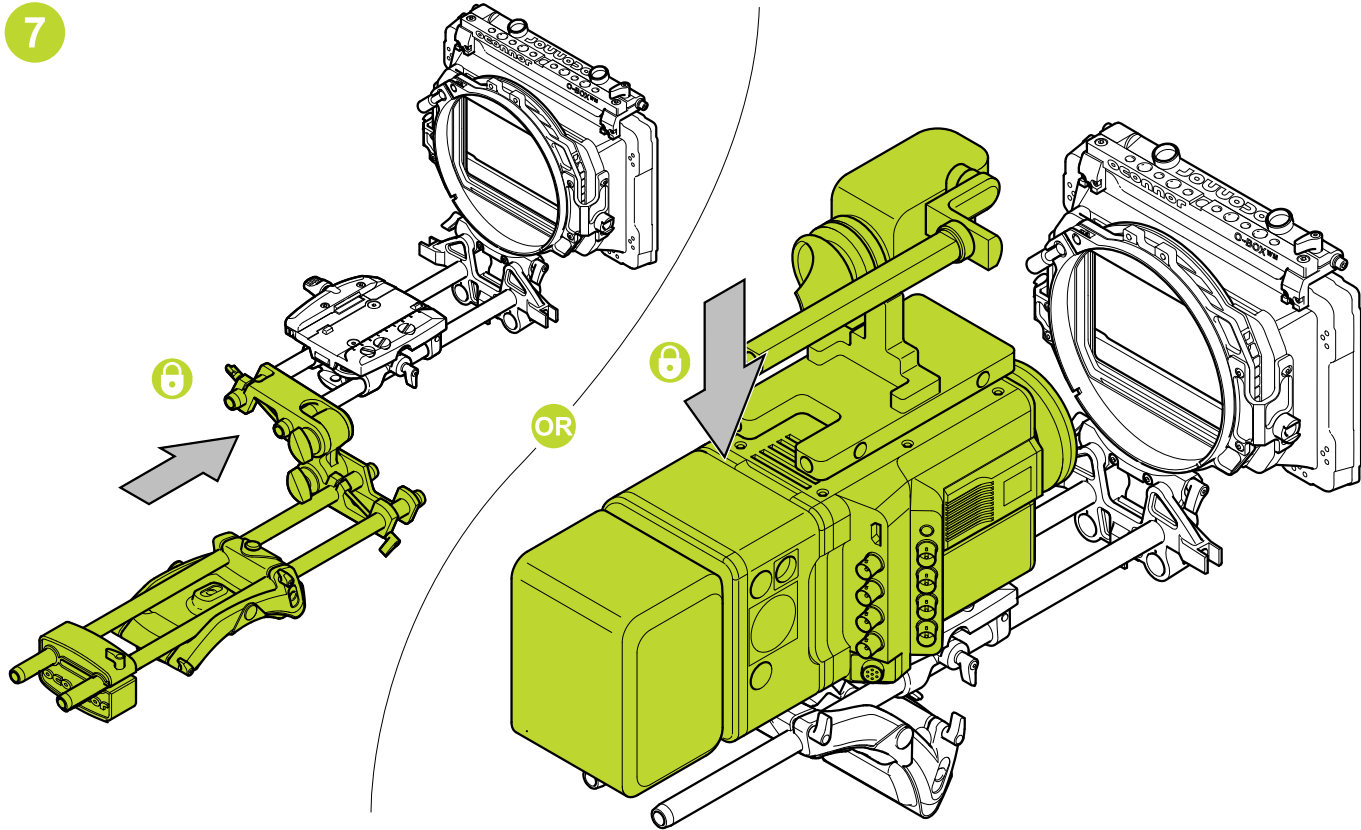


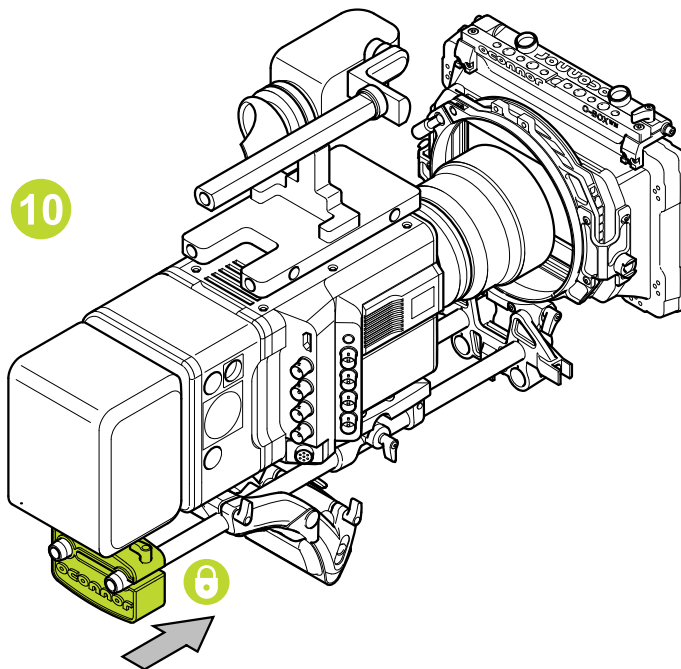
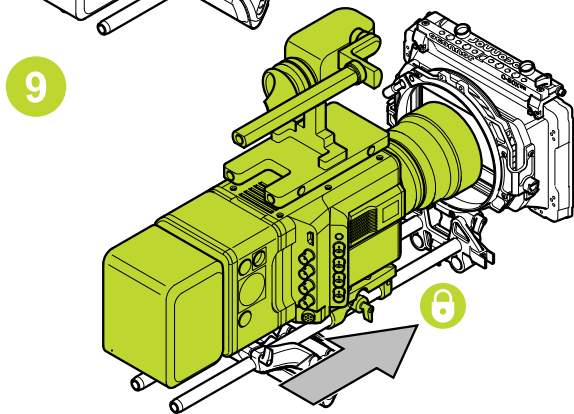
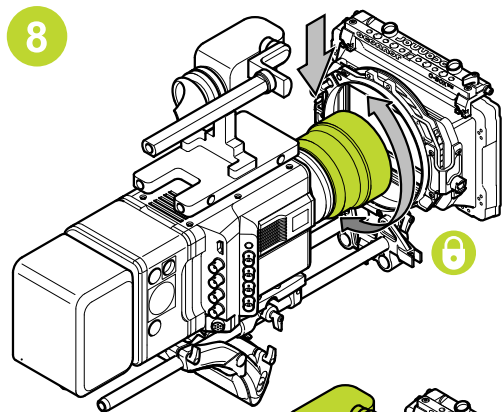
3





Installation

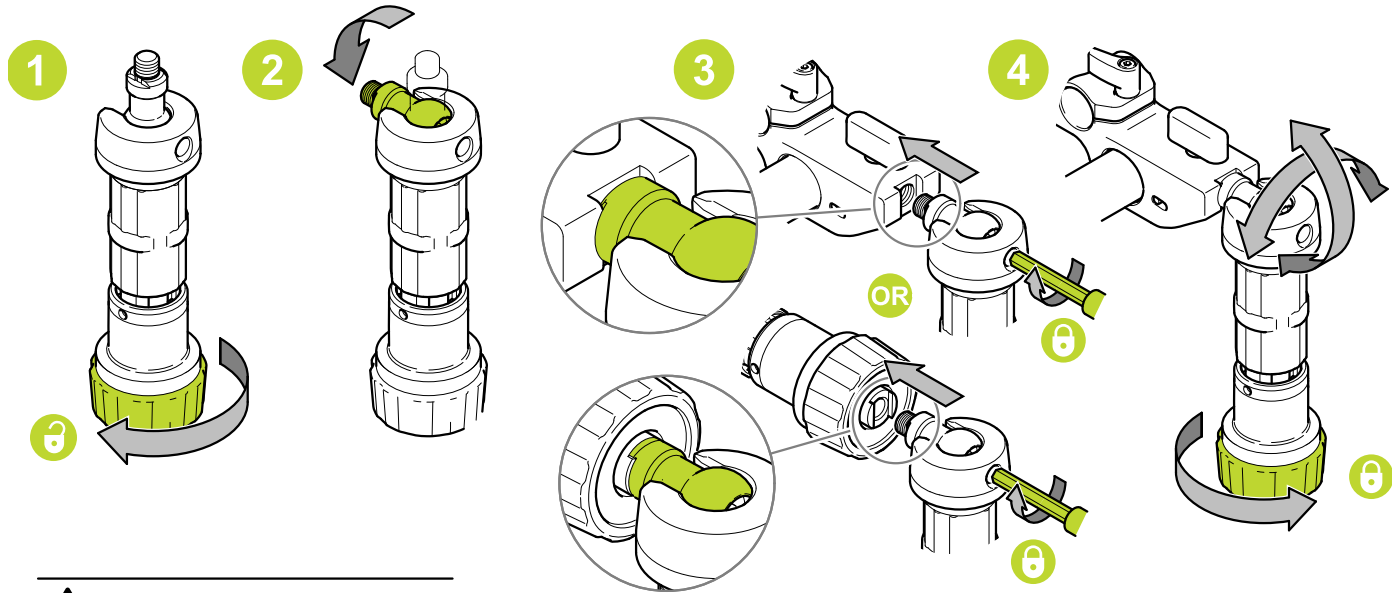




Installation

O-Grips Installation

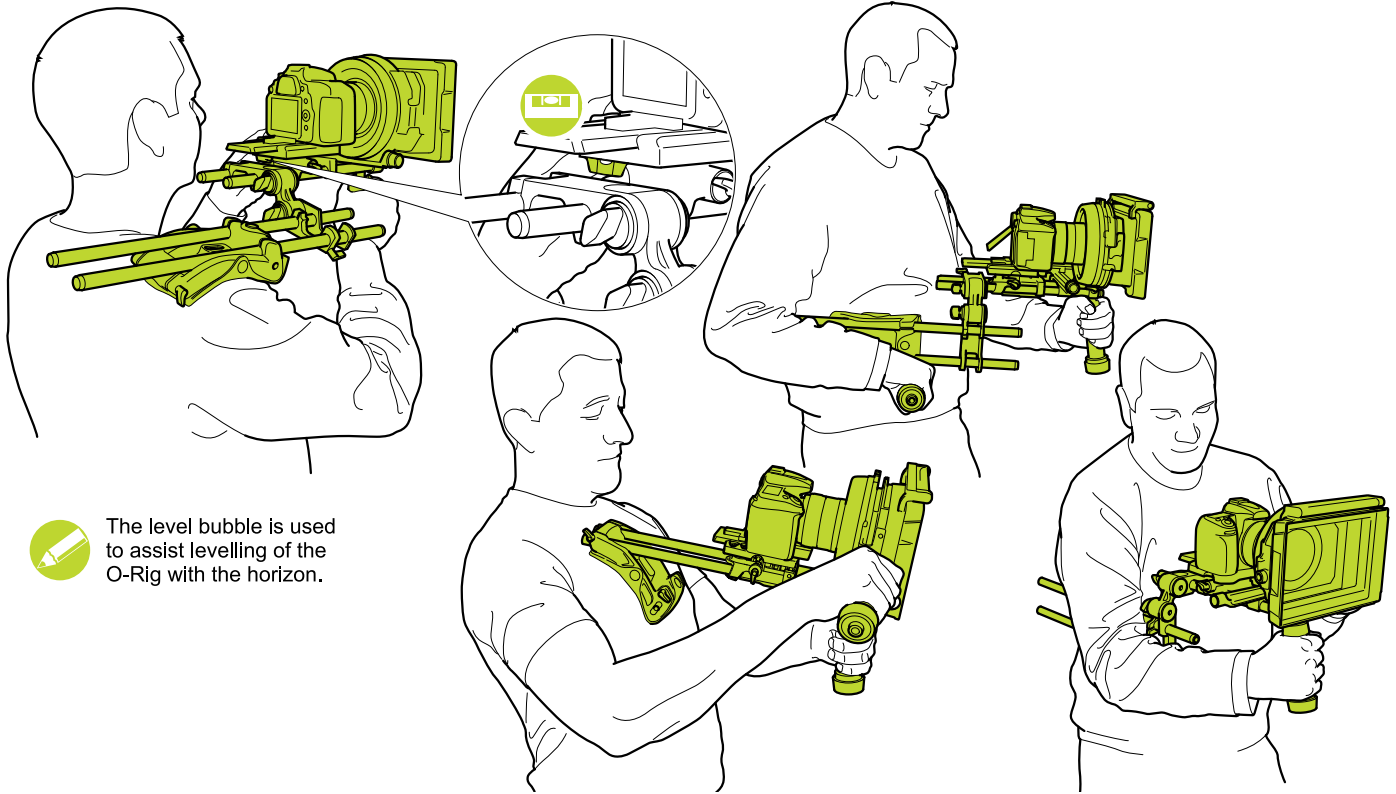
O-Grips can be fitted in various positions on the height adaptor bracket and body pad assembly as well as on accessories such as the O-Box.



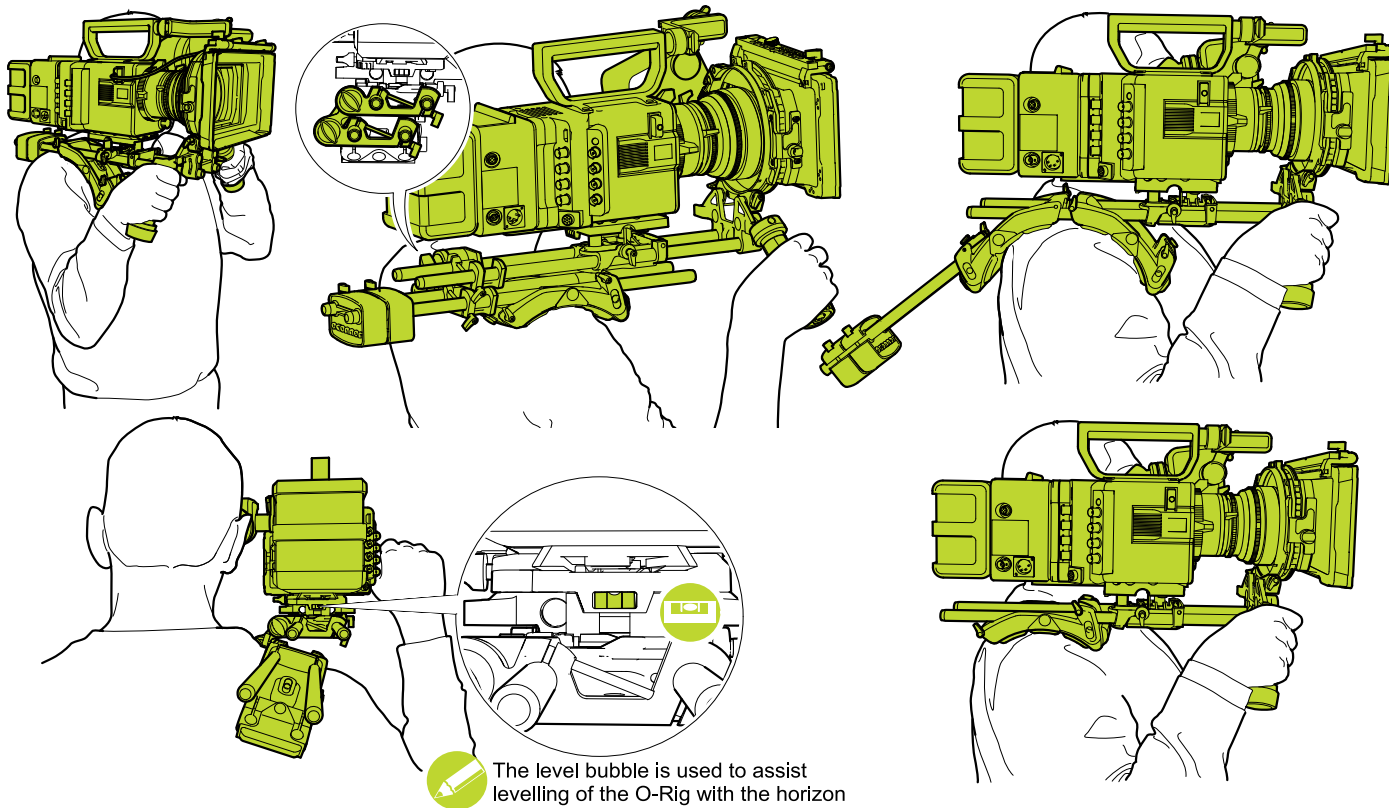
Caution! Do not over tighten fixings

Configuration Examples

The following illustrations provide some examples of how the O-Rig can be configured to suit the user's requirements. Optional accessories have been used in some examples.

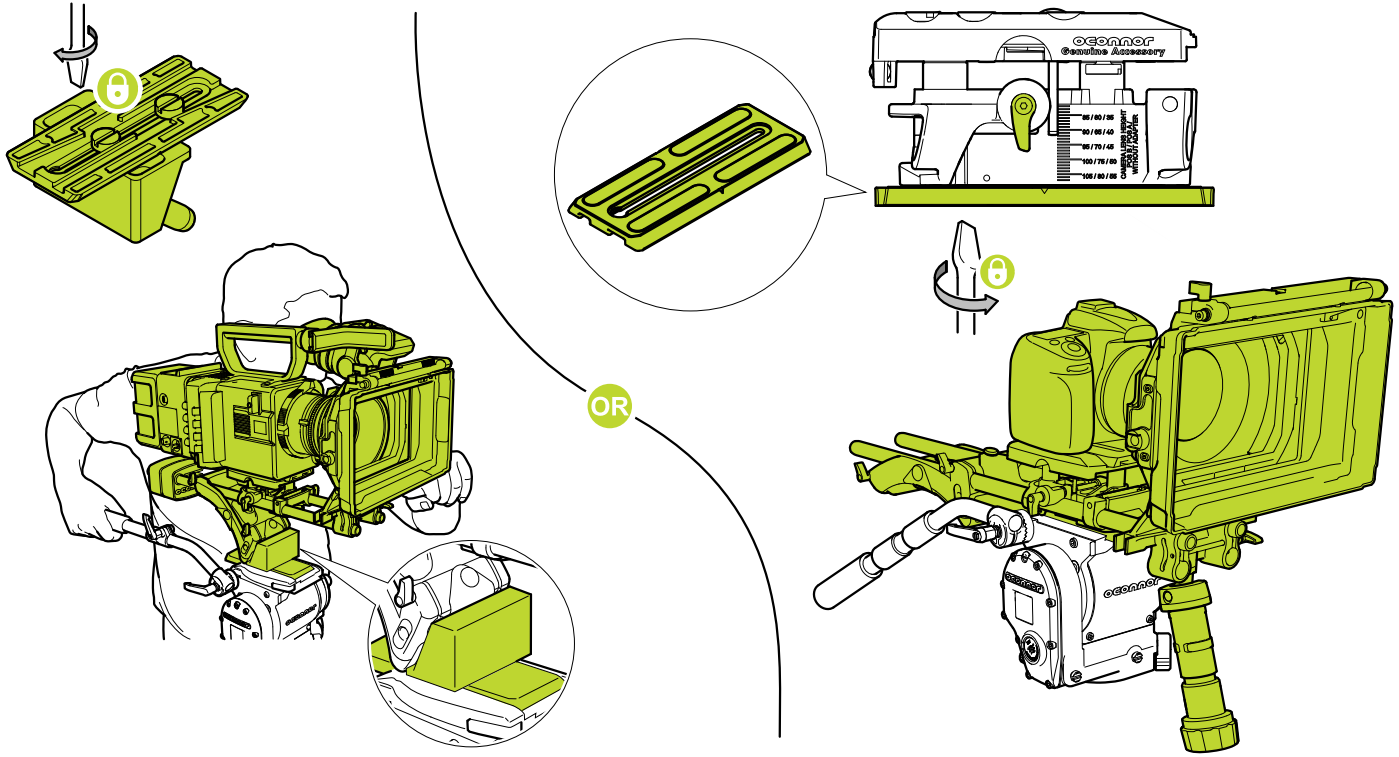


Configuration Examples



Mounting to a pan and tilt head

The following illustrations provide examples of how the O-Rig can be attached to a pan and tilt head. Optional accessories are used in these examples.



Maintenance

Cleaning



WARNING! Risk of electric shock. Before carrying out any cleaning of the O-Rig the camera must be removed.

During normal use the only cleaning required is a periodic wipe-down with a lint-free cloth. Any dirt that accumulates during storage or periods of non-use may be removed with a vacuum cleaner.

However, use out-of-doors under adverse conditions will require special attention. Salt spray should be washed off with fresh water at the earliest opportunity. Sand and dirt acts as an abrasive and should be removed using a semi-stiff brush or vacuum cleaner.

Storage

When not being used, it is recommended that the O-Rig is disassembled and stored in the protective case.

Routine Maintenance

If the O-Rig is left assembled for a period of time, ensure all fixings are secure before use.

O-Rig Pro Kit

Physical Data (Box Only)



Height
7.6 in. (193 mm)



Width
15.4 in. (391 mm)



Depth
19.4 in. (493 mm)



Weight
8.3 lb (3.75 kg)

Physical Data



Max height
5.3 in. (134 mm)



Width
17.7 in. (449 mm)



Max length
28.7 in. (730 mm)



Weight
11.7 lb (5.3 kg)



Maximum payload
45 lb (20.4 kg)



Camera fixing method
Wedge Plate, 3/8" UNC, 1/4" UNC screws



Baseplate adjustment range
1 in. (25 mm)



Camera plate sliding range
4.7 in. (120 mm)



Camera body size range (lens centre to base)
1.25 in. to 4.21 in. (32 mm to 107 mm)

O-Rig Baseplate Set

Physical Data



Max height
3.9 in. (98 mm)



Width
5.8 in. (148 mm)



Max length
18 in. (457 mm)



Weight
3.8 lb (1.7 kg)



Maximum payload
45 lb (20.4 kg)



Camera fixing method
Wedge Plate, 3/8" UNC, 1/4" UNC screws



Baseplate adjustment range
1 in. (25 mm)



Camera plate sliding range
4.7 in. (120 mm)



Camera body size range (lens centre to base)
1.25 in. to 4.21 in. (32 mm to 107 mm)



The assembled dimension of the O-Rig will vary depending on the configuration.

Technical Specification

Environmental Data (All Parts)



Operating temperature range
-22°F to +158°F (-30°C to +70°C)



Storage temperature range
-40°F to +185°F (-40°C to +85°C)



Operating humidity range
0-90% non condensing

Publication part No C1257-4980/1

oconnor



www.ocon.com