

SONY

TRIMASTER EL™ OLED Picture Monitor

PVM-A250
PVM-A170

Lightweight and slim



TRIMASTER EL



Lightweight and Slim – Easy to Carry

The PVM-A250 (25-inch) monitor and PVM-A170 (17-inch) monitor achieve an industry-leading lightweight and slim body.* The PVM-A250 weighs 6.1 kg and the PVM-A170 weighs just 4.2 kg, and both are approximately 40% slimmer than previous PVM-41 Series models.

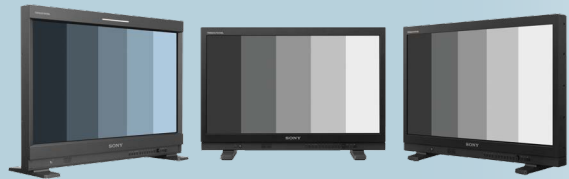
These advantages allow the new PVM monitors to be used in a wider range of applications, and they reduce associated costs. They are ideal for field monitoring and can be installed on a monitor wall or in an OB van. Now users can experience reliable, high-quality OLED monitoring anytime, anywhere.

* Professional broadcast monitors incorporating SDI interface(s) and built-in AC power.

Viewing Angle Innovation

The PVM-A250 and PVM-A170 incorporate the TRIMASTER EL OLED panel to offer an industry-leading viewing angle compared with other professional flat-panel monitors available on the market.

This enables group monitoring – for example, video engineers or colorists can view the display properly from many different angles – and this allows more efficient content creation activities.



Predecessor models Front view PVM-A250 / PVM-A170

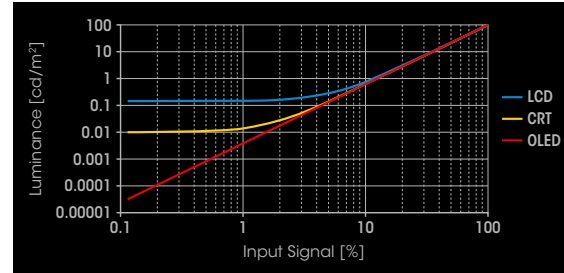
* Simulated images

New Design Innovation

As well as offering high performance, both the PVM-A250 and PVM-A170 have a new chassis design that fits portable and field applications. The slim design, new handle, and protected connectors are perfect for rental, on set, and light stand applications.

Accurate Black Reproduction

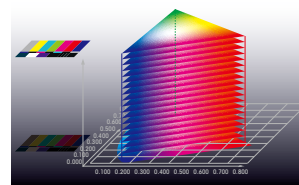
A key advantage of TRIMASTER EL is the fact that each pixel can be turned completely off. No other display technology is able to offer this. In comparison, TRIMASTER EL is capable of reproducing accurate black with each individual pixel, enabling users to evaluate each picture image faithfully to the signal.



* Simulated images

Accurate Color Reproduction

Sony's Super Top Emission technology not only offers a wide color gamut with its purity of the three primary colors, but also maintains this wide color gamut throughout the entire luminance range. TRIMASTER EL system is truly an ideal display device for picture evaluation. With OLED, users see the details in the blacks, and see the colors as well.



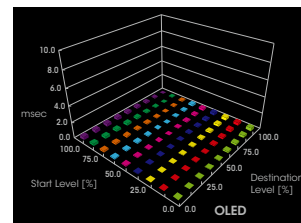
* Simulated images

* Color gamut images based on Sony's test results

Quick Response with Virtually No Motion Blur

The TRIMASTER EL gray-to-gray switching speed (measured in microseconds, μ s) is much faster than that of the LCD (measured in milliseconds, ms).* This fast response benefits a variety of applications and uses, for example, in sports broadcasting.

* Sony's test results.



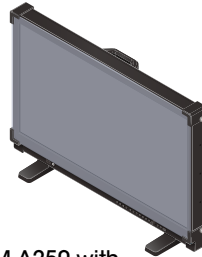
* Simulated images

Lightweight, Compact, and Robust

The PVM-A250 and PVM-A170 offer a design that is uniquely light and compact. They also include a variety of mechanical features to enhance monitor mobility and user convenience in a wide range of applications.

Optional Protection Kit (BKM-PP25 and BKM-PP17)

These accessories provide an AR-coated protection panel for each 25-inch and 17-inch monitor, along with corner bumpers to safeguard the monitor from scratches and impact. The benefit of this is significant when renting out these monitors – for example, panel damage is reduced and there is a far lower incidence of panel replacement and downtime during rental cycles.



PVM-A250 with protection kit image



PVM-A250 with yoke-mount image
(3rd vendor yoke mount is required)

Yoke-mount and VESA-mount Capability

The PVM-A250 and PVM-A170 have screw holes on their side bezels for yoke mounting. This type of mounting is convenient when installing a monitor to a camera crane or monitor stand. There are also VESA-mount 100-mm pitch holes on each monitor's rear panel.

Connector Panel Design

The rear connector panel is embedded in the chassis and protects the connectors from damage while offering enough clearance for multiple cable connections.



Connector panel



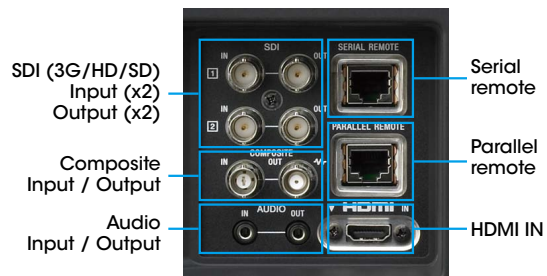
PVM-A250 rear



PVM-A250 side

Input Versatility

The PVM-A250 and PVM-A170 monitors are equipped with built-in standard input interfaces: 3G/HD/SD-SDI (x2), HDMI (HDCP) input (x1) and composite (x1).



Optimized Low-latency I/P Conversion

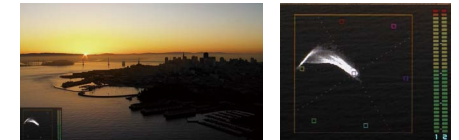
The PVM I/P conversion system delivers automatically optimized signal processing according to the input signal format, with low latency (less than 0.5 field). This helps to monitor fast-moving images with synchronized audio.

Waveform Monitor and Vector Scope Display

These enable users to monitor sources using the internal waveform and vector scope. These displays also provide some of the same evaluation tools as larger dedicated equipment. Both the waveform monitor and the vector scope offer zoom functions for very precise signal adjustment (from zero to 20% video level). In addition, the waveform monitor includes a line select feature, so users can adjust levels based on individual areas of the screen. Both displays have two-channel audio monitoring.



Waveform monitor



Vector scope

Camera Focus Function

The PVM-A250 and PVM-A170 monitors can control the aperture level of a video signal, and display images on the screen with sharpened edges to help camera focus operation. Further to this, the sharpened edges can be displayed in user-selectable colors (white, red, green, blue, and yellow) for more precise focusing.



Camera focus image

Other Features

- Timecode display (LTC/VITC-supported)
- Safety area markers
- Closed caption display (EIA/CEA-608 and EIA/CEA-708)
- 8-channel audio level meter display
- Remote control functions with BKM-16R monitor control unit and a parallel remote connector.
- Computer signal input capability via an HDMI/DVI interface
- S-GAMUT color space and S-LOG2 to 709 (800%) gamma mode
- On-screen tally function

Specifications

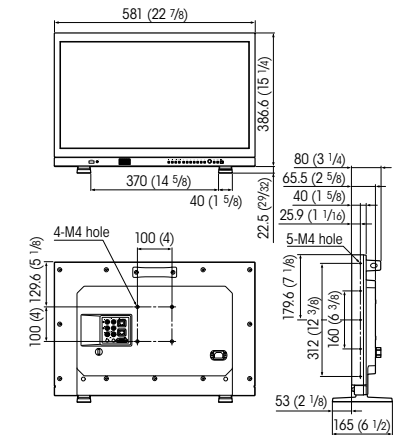
	PVM-A250	PVM-A170	PVM-741
Picture Performance			
Panel	OLED panel		
Picture Size (Diagonal)	623.4 mm (24 5/8 inches)	419.7 mm (16 1/2 inches)	188.0 mm (7 1/2 inches)
Effective Picture Size (H x V)	543.4 x 305.6 mm (21 1/2 x 12 1/8 inches)	365.8 x 205.7 mm (14 1/2 x 8 1/8 inches)	163.9 x 92.2 mm (6 1/2 x 3 5/8 inches)
Resolution (H x V)	1920 x 1080 pixels (Full HD)	1920 x 1080 pixels (Full HD)	960 x 540 pixels (Quarter HD)
Aspect	16:9		
Panel Drive	RGB 10-bit		
Viewing Angle (Panel Specification)	89°/89°/89°/89° (typical) (up/down/left/right contrast > 10:1)		
Input			
Composite Input	BNC (x1), 1.0 Vp-p ±3dB sync negative		
SDI Input	BNC (x2)		
HDMI Input	HDMI (x1) (HDCP correspondence)		
Audio Input	Stereo mini jack (x1), -5 dBu 47 kΩ or higher		
Parallel Remote	RJ-45 modular connector 8-pin (x1) (Pin-assignable)		
Serial Remote (LAN)	RJ-45 modular connector (x1) (Ethernet, 10BASE-T/100BASE-TX)		
DC Input	-	XLR-type 4-pin (male) (x1) DC 12 V to 16 V (output impedance 0.05 Ω or less)	XLR-type 4-pin (male) (x1) DC 12 V (output impedance 0.05 Ω or less)
Output			
Composite Output	BNC (x1), Loop-through, with 75 Ω automatic termination		
SDI Output	BNC (x2)	BNC (x1)	
	Output signal amplitude: 800 mVp-p ±10% Output impedance: 75 Ω unbalanced		
Audio Monitor Output	Stereo mini jack (x1)		
Speaker (Built-in) Output	1.0 W (mono)	0.5 W (mono)	
Headphone Output	Stereo mini jack (x1)		

	PVM-A250	PVM-A170	PVM-741
General			
Power Requirements	AC 100 V to 240 V, 1.3 A to 0.6 A, 50/60 Hz	AC 100 V to 240 V, 0.9 A to 0.5 A, 50/60 Hz DC 12 V to 16 V, 6.4 A to 4.8 A	AC 100 V to 240 V, 0.5 A to 0.3 A, 50/60 Hz DC 12 V, 1.9 A
Power Consumption	Approx. 115 W (max.) Approx. 80 W (average power consumption in the default status)	Approx. 75 W (AC power supply) (max.) Approx. 60 W (AC power supply) (average power consumption in the default status)	Approx. 30 W (max.) -
Operating Temperature	0°C to 35°C (32°F to 95°F) Recommended: 20°C to 30°C (68°F to 86°F)		0°C to 40°C (32°F to 104°F) Recommended: 20°C to 30°C (68°F to 86°F)
Operating Humidity	30% to 85% (no condensation)		
Storage / Transport Temperature	-20°C to +60°C (-4°F to +140°F)		
Storage / Transport Humidity	0% to 90%		
Operating / Storage / Transport Pressure	700 hPa to 1060 hPa		
Dimensions (W x H x D)	581.0 x 386.6 x 65.5 mm* (22 7/8 x 15 1/4 x 2 5/8 inches) (without monitor feet)	435.0 x 274.0 x 65.5 mm* (17 1/4 x 10 7/8 x 2 5/8 inches) (without monitor feet)	222.4 x 166 x 70 mm (8 7/8 x 6 5/8 x 2 7/8 inches)
	581.0 x 409.1 x 165.0 mm (22 7/8 x 16 1/8 x 6 1/2 inches) (with monitor feet)	435.0 x 296.5 x 165.0 mm (17 1/4 x 11 3/4 x 6 1/2 inches) (with monitor feet)	222.4 x 183.5 x 161.8 mm (8 7/8 x 7 1/4 x 6 3/8 inches) (when AC adaptor is installed)
Mass	Approx. 6.1 kg (13 lb 7.2 oz)	Approx. 4.2 kg (9 lb 4.2 oz)	Approx. 2.0 kg (4 lb 6 oz) Approx. 2.6 kg (5 lb 12 oz) (when AC adaptor is installed)
Supplied Accessories	AC power cord (1), AC plug holder (1), Before Using This Unit (1), CD-ROM (1)	AC power cord (1), AC plug holder (1), Handle (1) (including 4 screws), Before Using This Unit (1), CD-ROM (1)	AC power cord (1), AC plug holder (1), AC adaptor (1), Handle (1), Arm mount bracket (1), Screws (4), Operating instructions (1), CD-ROM (1), Using the CD-ROM Manual (1)
Optional Accessories	SU-561 Monitor Stand, BKM-PP25 Protection kit	SU-561 Monitor Stand, MB-P17 Mounting bracket, BKM-PP17 Protection kit	MB-531 Mounting bracket, MB-532 Mounting panel, VF-510 Monitor ENG kit

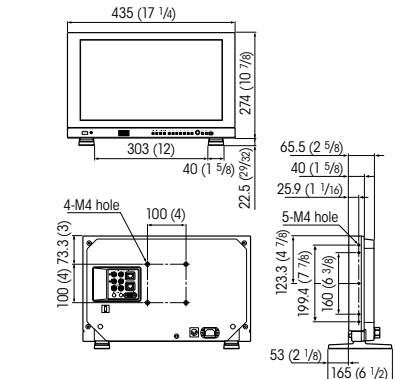
* Without projection parts.

Dimensions

PVM-A250



PVM-A170



Distributed by

MK11100V1YIT13NOV

©2013 Sony Corporation. All rights reserved.
 Reproduction in whole or in part without written permission is prohibited.
 Features and specifications are subject to change without notice.
 Screen images are simulated.
 The values for mass and dimension are approximate.
 "SONY" and "TRIMASTER EL" are trademarks of Sony Corporation.
 HDMI is a trademark of HDMI Licensing, LLC.
 All other trademarks are the properties of their respective owners.

The PVM-A250 and PVM-A170 are produced at Sony EMCS Corporation Kosai Site, which has received ISO14001 Environmental Management System certification.

