

**Canon**

***YH19x 6.7 KRS***

***YH19x 6.7 IRS***

*Industry Standard* **IF**pro ~~SHUTTLE~~SHOT





● **Square Hood**

Eliminates ghosting and flare more effectively.

● **Creative Filter Work**

Filters attached to the front of the lens remain stationary even while focusing-thus re-indexing is not necessary.

● **Short Minimum Object Distance-0.9m**

● **Reduced Chromatic Aberrations**  
Chromatic aberrations due to movement of the front elements are reduced and distortion is minimized.

● **High and Flat MTF**

Increased resolution at the edges and corners of the picture achieving higher MTF.

● **Lightweight Design - 1.33kg (2.93lbs.)**

● **Quiet and Fast Servo Operation 1.7 seconds from Wide to Tele**

● **Ergonomically Designed Grip**

Canon's original Ergonomic Grip is Specially designed to provide users with hours of fatigue-free shooting.

● **Specially Developed Protein Paint**

Exclusively engineered to absorb moisture while enhancing the feel of the lens.

● **System-Matched Coloring**

Easily integrates with all cameras.

● **Optional Built-in 2x Extender**

Maximum focal length of 254mm

● **Long Zoom Ratio-19x**

● **Wide Angular Field of View -51.1° x 39.4°**

● **Rubber Grip On Focus Ring**

Provides user-friendly design of the focusing operation.

**SPECIFICATIONS:**

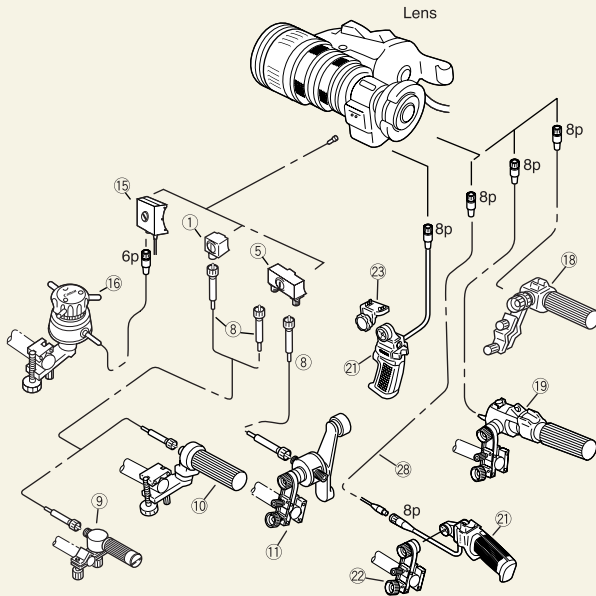
LENS	YH19x6.7 KRS	YH19x6.7 IRS
Image Format	1/2" (6.4 x 4.8mm; φ 8mm)	
Zoom Ratio	19X	19X
Built-in Extender		2.0X
Range of Focal Length (with Extender)	6.7~127mm	6.7~127mm 13.4~254mm (2.0X)
Maximum Relative Aperture (with Extender)	1:1.4 at 6.7-89mm 1:2.0 at 127mm	1:1.4 at 6.7-89mm 1:2.0 at 127mm 1:2.8 at 13.4-178mm 1:4.0 at 254mm (2.0X)
Angular Field of View (with Extender)	4:3 Aspect Ratio (6.4x4.8mm) 51.1°x39.4° at 6.7mm 2.89°x2.17° at 127mm	51.1°x39.4° at 6.7mm 2.89°x2.17° at 127mm 26.9°x20.3° at 13.4mm 1.44°x1.08° at 254mm (2.0X)
M.O.D. from Lens Front	0.9m(50mm with Macro)	
Object Dimensions at M.O.D. (with Extender)	4:3 Aspect Ratio (6.4x4.8mm) 77.2x57.9cm at 6.7mm 4.2x3.2cm at 127mm	77.2x57.9cm at 6.7mm 4.2x3.2cm at 127mm 38.6x29.0cm at 13.4mm 2.1x1.6cm at 254mm (2.0X)
Approx. Size(WxHxL)	139.8x99.5x181.6mm	
Approx. Mass	1.33kg (2.93lbs)	
Macro	yes	

**YH19x 6.7 IRS**



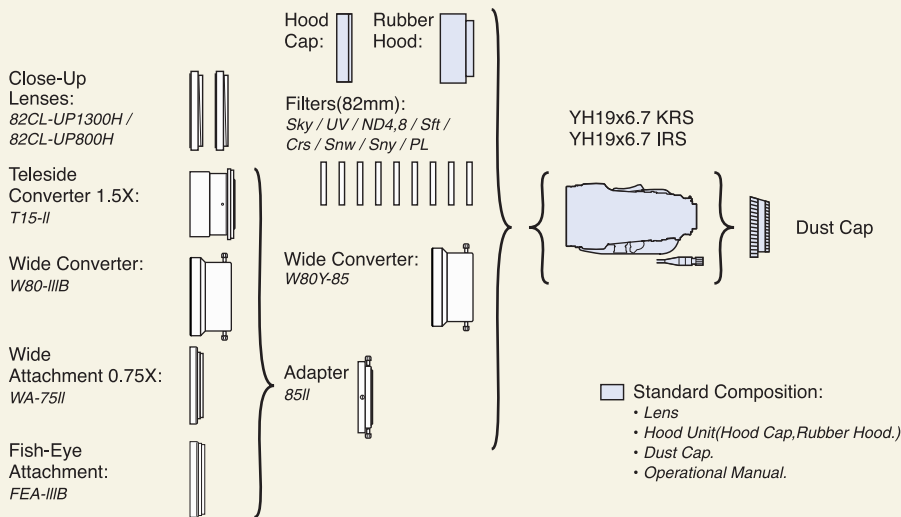
**2X  
EXTENDER**

## LENS CONTROLLERS



#	Unit	Description	CODE
①	FM-12	Flex Focus Module	1824A012
⑤	FM-70	Flex Dual Module	0002T071
⑧	FC-40	Flex Cable	1824A010
⑨	FFC-15	Flex Focus Controller	1824A024
⑩	FFC-200	Flex Focus Controller	1824A014
⑪	FZC-100	Flex Zoom Controller	1824A021
⑮	FPM-77	Focus Positional Servo Module	1824A020
⑯	FPD-400	Focus Positional Demand	1824A018
⑱	ZSD-15M II	Zoom Demand M	1824A071
⑲	ZSD-300M	Zoom Demand M	1824A067
⑳	ZSG-200M	Zoom Servo Grip M	1824A069
㉓	CR-10	Clammer	1824A007
㉔	GA-70	Grip Adapter	0018T531
㉘	EC-80	Zoom Extension Cable (8P)	1824A009

## OPTICAL ACCESSORIES



MODEL	CODE
82CL-UP800H	1823A041
82CL-UP1300H	1823A042
Teleside Con T15-II	1823A005
Wide Con W80-III B	1823A006
Wide Attach WA-75II	1823A008
Fish-Eye FEA-III B	1823A011
Adaptor85II	1824A002
UV / 82mm	1823A030
Sky / 82mm	1823A031
Crs / 82mm	1823A032
Sny / 82mm	1823A033
Snw / 82mm	1823A034
ND4 / 82mm	1823A035
ND8 / 82mm	1823A036
Sft / 82mm	1823A037
PL / 82mm	1823A038
W80Y-85	1823A009

### North & South America

**Canon USA, Inc.**  
Broadcast and Communications Div. (Headquarters)  
400 Sylvan Avenue Englewood Cliffs, NJ 07632  
Tel: (201) 816-2900 / (800) 321-4388 Fax: (201) 816-2909  
Email: bctv@cusa.canon.com  
http://www.canonbroadcast.com/

### Chicago

100 Park Blvd, Itasca, IL 60143  
Tel: (630) 250-6231 Fax: (630) 250-0399

### Atlanta

5625 Oakbrook Pkwy, Norcross, GA 30093  
Tel: (770) 849-7895 Fax: (770) 849-7888

### Los Angeles

15955 Alton Parkway Irvine, CA 92718  
Tel: (949) 753-4330 Fax: (949) 753-4337

### Dallas

3200 Regent Blvd, Irving, TX 75063  
Tel: (972) 409-8871 Fax: (972) 409-8869

### Latin America

Tel: (954) 349-6975 Fax: (201) 816-2909

### Canada

**Canon Canada, Inc.**  
Optics Division 6390 Dixie Road Mississauga, Ontario  
Canada, L5T 1P7 Tel: (905) 795-2012 Fax: (905) 795-2140

### Europe/Africa/Middle East

**The Netherlands Headquarters**  
**Canon Europa N.V.**  
Broadcast and Communications Div.  
Bovenkerkerweg 59-61  
1185 XB Amstelveen  
Tel: +31(0)20-5458905 Fax: +31(0)20-5458203  
Email: tvprod@canon-europa.com  
http://www.canon-europa.com/tv-products

### Australia

**Canon Australia Pty. Ltd.**  
Optical Products Division  
1 Thomas Holt Drive, North Ryde, NSW 2113  
Tel: +61(0)2-9805-2000 Fax: +61(0)2-9805-2444

### Asia

**Canon Singapore Pte. Ltd / Broadcast Equipment Dept.**  
No.1 Jalan Kilang Timor #03-01 Pacific Tech  
Centre Singapore 159303  
Tel: +65 6276-6864 Fax: +65 6271-4226

### Japan

**Canon Inc. (Broadcast Equipment Group)**  
20-2, Kiyohara-Kogyo-Danchi, Utsunomiya-shi,  
Tochigi-ken, 321-3292  
Tel: +81(0)28-667-8669 Fax: +81(0)28-667-8672

http://www.canon.com/bctv

Specifications subject to change without notice