

WOODEN CAMERA®

2018 PRODUCT GUIDE



WOODENCAMERA.COM

info@woodencamera.com

855.966.3226

ZIP FOCUS



ZIP FOCUS
(15mm LW FOLLOW FOCUS)
\$499 SKU: 255600

ZIP FOCUS
(19mm/15mm STUDIO FOLLOW FOCUS)
\$499 SKU: 255700



ADDITIONAL OPTIONS

ZIP FOCUS
(15mm LW ROD CLAMP)



\$65 SKU: 255800

ZIP FOCUS (19mm/15mm STUDIO ROD CLAMP)



\$65 SKU: 255900

UFF-1 UNIVERSAL FOLLOW FOCUS (WHIP ONLY)



\$145 SKU: 244800

UFF-1 UNIVERSAL FOLLOW FOCUS (CRANK ONLY)



\$85 SKU: 244900

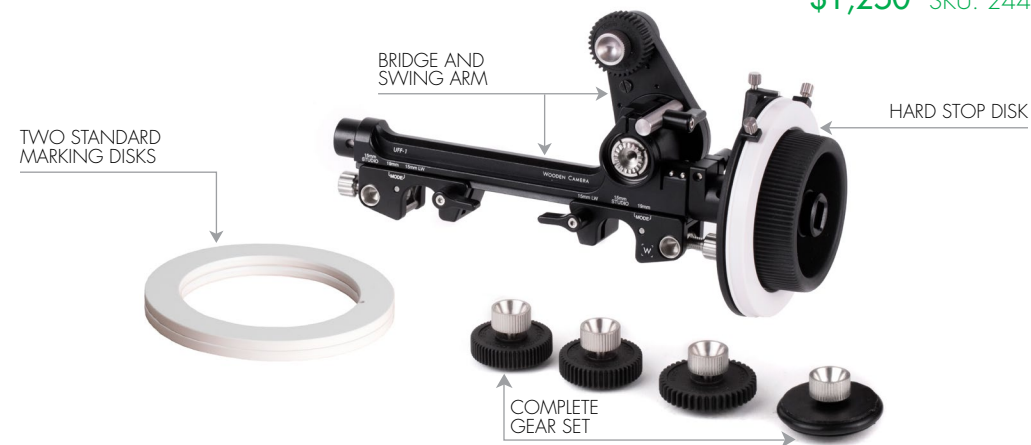
UNIVERSAL FOLLOW FOCUS

UFF-1 Universal Follow Focus is the first follow focus to be compatible with 15mm LVV, 15mm Studio, and 19mm rods without the use of adapters.

UFF-1 UNIVERSAL FOLLOW FOCUS (PRO)
\$1,995 SKU: 244500



UFF-1 UNIVERSAL FOLLOW FOCUS (BASE)
\$1,250 SKU: 244400



UNIVERSAL MATTEBOX

UNIVERSAL MATTEBOX

The UMB-1 Universal Mattebox is designed to be user upgradeable. Each kit comes standard with two rotating 4x5.65 filter stages, individual tray catchers, folding French flag, 143mm diameter opening, & NATO standard accessory rails for attaching accessories.

UMB-1 UNIVERSAL MATTEBOX (PRO)

\$1,995 SKU: 202100

- INCLUDES:**
- Top Flag
 - Bottom Flag
 - Left & Right Side Flag
 - 2x Rotating 4x5.65 Filter Stages
 - Universal Donut
 - Swing Away Bracket
 - Bellows Set
 - Clamp On Set



UMB-1 UNIVERSAL MATTEBOX (CLAMP ON)

\$1,250 SKU: 201900

CLAMP SIZES:



- 80mm
- 87mm
- 95mm
- 104mm
- 110mm
- 114mm
- 125mm
- 134mm
- 136mm



TOP FLAG



UMB-1 UNIVERSAL MATTEBOX (SWING AWAY)

\$1,495 SKU: 202000

BELLOWS SIZES:

- 80mm 104mm
- 87mm 110mm
- 95mm

UNIVERSAL DONUT



UMB-1 UNIVERSAL MATTEBOX (BASE)

\$995 SKU: 201800



TOP FLAG



ADDITIONAL OPTIONS

UMB-1 UNIVERSAL MATTEBOX (19mm ADAPTER)



\$175 SKU: 202600

UMB-1 UNIVERSAL MATTEBOX (15mm STUDIO ADAPTER)



\$175 SKU: 202700

UNIVERSAL MATTEBOX (SIDE FLAGS, LEFT & RIGHT)



\$150 SKU: 202200

UMB-1 HARD MATTE SET



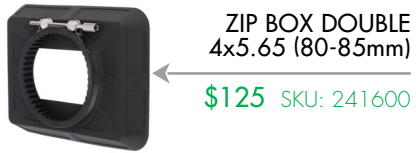
\$195 SKU: 213600

ZIP BOX

PUSH BUTTON ROSETTE

ZIP BOX DOUBLE

Zip Box Double 4x5.65 holds two 4x5.65" (100x144mm) filters and clamps to the front of lenses.



Zip Box is extremely lightweight and weighs about the same as the filter it holds making it perfect for gimbal and drone use.

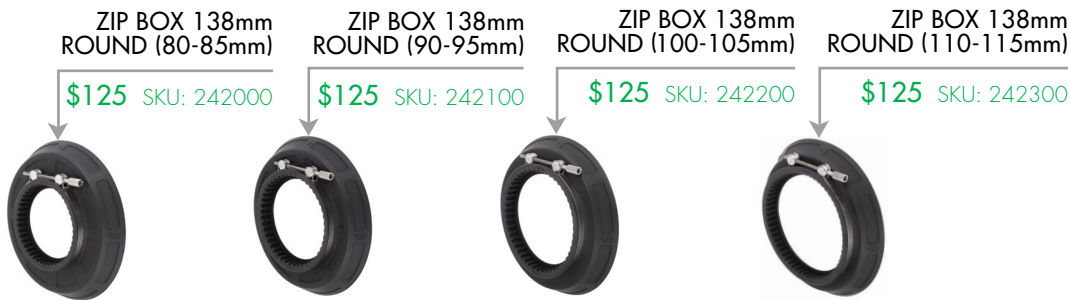
The lens shade design allows for even the widest lenses and sensor sizes to be covered without vignetting.

Stainless steel components and unibody rubber design are very durable and stand up to the toughest conditions.



ZIP BOX 138mm ROUND

Zip Box 138mm Round holds one 138mm filter or diopter and clamps to the front of lenses.



ZIP BOX ADAPTER RINGS

Adapts small DSLR lenses like Sony E and MFT lenses to fit into the Zip Box 80-85mm.

\$29 SKU: 231900



ZIP BOX FLAG SET (TOP AND SIDES)

Includes one top & two side clip on flags compatible with all Zip Boxes (4x4, 4x5.65, and 138mm Round). The flags are made of a lightweight plastic material and clip securely without tools.

\$45 SKU: 242500



Turns any ARRI rosette handgrip into a push button device. Available in left & right configurations. Sets of two and four also available.

PUSH BUTTON ARRI ROSETTE (SINGLE, LEFT SIDE)

\$85 SKU: 256600



PUSH BUTTON ARRI ROSETTE (SINGLE, RIGHT SIDE)

\$85 SKU: 256500



WOODEN CAMERA HANDGRIP (LEFT)

\$195 SKU: 219400 (RIGHT) SKU: 219300



ALSO AVAILABLE:

PUSH BUTTON ARRI ROSETTE SET OF TWO (ONE RIGHT, ONE LEFT)

\$160 SKU: 256700

PUSH BUTTON ARRI ROSETTE SET OF FOUR (TWO RIGHT, TWO LEFT)

\$299 SKU: 256800

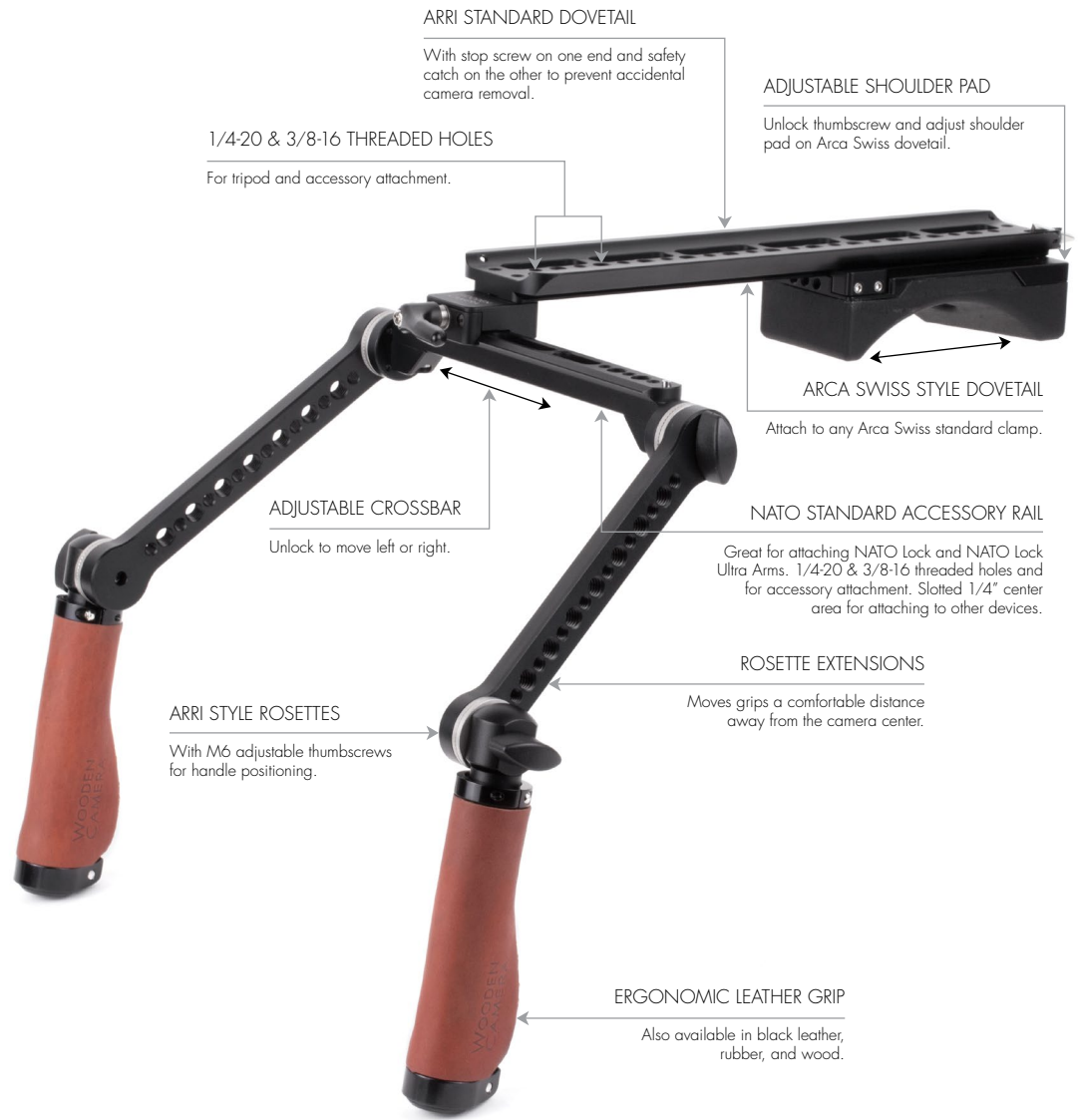


SHOULDER RIG v2

DIRECTOR'S MONITOR CAGE v2

SHOULDER RIG V2 (PREMIUM, BROWN LEATHER)

\$1,495 SKU: 204000



ADDITIONAL OPTIONS



DIRECTOR'S MONITOR CAGE v2

Engineered to be universally compatible with any monitor up to 9" diagonally with newly designed main brackets also allow direct mounting to the rear of Convergent Design Odyssey and Apollo.

\$299 SKU: 239000

INCLUDES:

- 1 Universal LCD Sunshade
- 2 Padded Neck Strap
- 3 Cable Tie-Wrap
- 4 LCD Offset Brackets
- 5 Teradek/Paralinx Adapter
- 6 Gold Mount & V-Mount Screws
- 7 1/4-20 LCD Mounting Screws
- 8 Convergent Design Mounting Screws
- 9 Teradel Bolt Mounting Kit

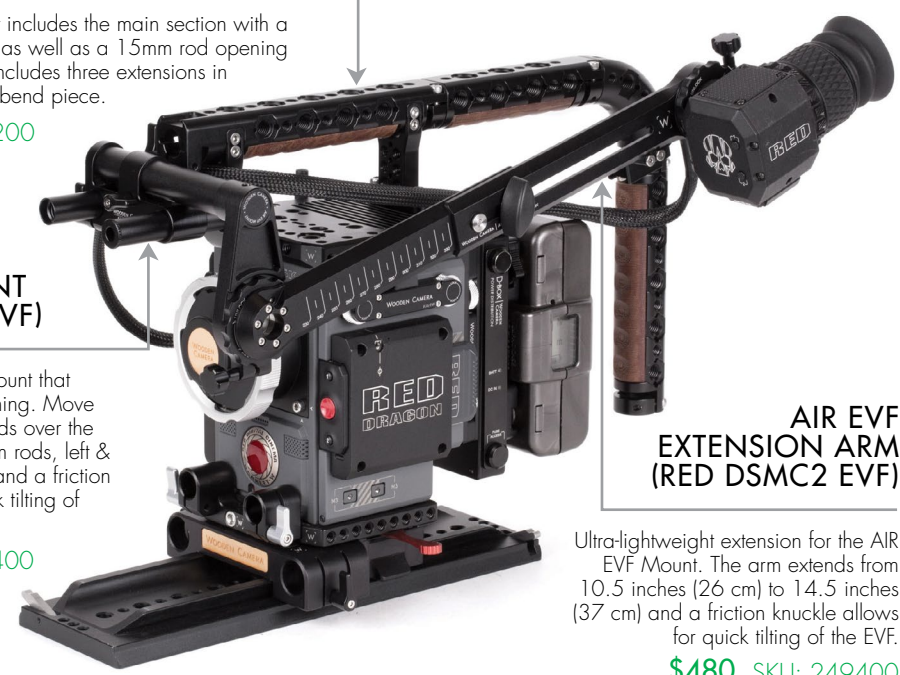


ALSO AVAILABLE:
DMCv2 RUBBER GRIPS SET OF TWO (3/8-16 THREAD)
\$55 SKU: 246000
DUAL DIRECTOR'S MONITOR CAGE V2
\$599 SKU: 243300

MASTER TOP HANDLE (RED DSMC2)

Modular handle kit that includes the main section with a hot shoe mount in front as well as a 15mm rod opening with thumbscrew. Kits includes three extensions in different lengths and a bend piece.

\$995 SKU: 248200



AIR EVF MOUNT (RED DSMC2 EVF)

Ultra-lightweight EVF mount that allows for easy positioning. Move forwards and backwards over the lens area on two 15mm rods, left & right on a 19mm rod, and a friction knuckle allows for quick tilting of the EVF.

\$550 SKU: 248400

AIR EVF EXTENSION ARM (RED DSMC2 EVF)

Ultra-lightweight extension for the AIR EVF Mount. The arm extends from 10.5 inches (26 cm) to 14.5 inches (37 cm) and a friction knuckle allows for quick tilting of the EVF.

\$480 SKU: 249400

MASTER TOP HANDLE (ARRI ALEXA XT, SXT SX-W, CLASSIC)

\$995 SKU: 251600



MASTER TOP HANDLE (ARRI ALEXA MINI, CANON C700)

\$995 SKU: 248300



MASTER TOP HANDLE (UNIVERSAL CENTER SCREW CHANNEL)

\$995 SKU: 253100



SONY VENICE



ARRI ALEXA MINI & C700



PANASONIC VARICAM



ULTRA ARM COMPONENTS

Attaches to LCDs and other accessories using standard 25mm ball mounts. Tool-less design lets you quickly attach to 1/4-20 or 3/8-16 threaded holes.

<p>ULTRA ARM BALL (1/4-20) \$39 SKU: 232300</p>	<p>ULTRA ARM BALL (FEMALE HOT SHOE) \$45 SKU: 241500</p>	<p>ULTRA ARM BALL (NATO RAIL) \$55 SKU: 259500</p>	<p>PRESTON MDR3/MDR4 ULTRA ARM BALL \$95 SKU: 251000</p>
<p>ULTRA ARM BALL (3/8-16) \$39 SKU: 232400</p>	<p>ULTRA ARM BALL (SUPER CLAMP) \$85 SKU: 233100</p>	<p>ULTRA ARM BALL (HOT SHOE) \$45 SKU: 233000</p>	<p>ULTRA ARM BALL (NATO CLAMP) \$55 SKU: 232900</p>
<p>ULTRA ARM DOUBLE BALL (3") \$35 SKU: 232600</p>		<p>ULTRA ARM DOUBLE BALL (5") \$45 SKU: 232700</p>	
<p>ULTRA ARM DOUBLE BALL (8") \$55 SKU: 232800</p>			

ULTRA ARM MONITOR MOUNTS

<p>ULTRA ARM MINI MONITOR MOUNT (1/4-20 TO 1/4-20) \$95 SKU: 233200</p>	<p>ULTRA ARM MONITOR MOUNT (1/4-20 TO 1/4-20, 8") \$185 SKU: 232200</p>
<p>ULTRA ARM MONITOR MOUNT (1/4-20 TO 1/4-20, 5") \$175 SKU: 232100</p>	<p>ULTRA ARM MONITOR MOUNT (1/4-20 TO 1/4-20, 3") \$165 SKU: 232000</p>

UNIFIED BASEPLATE

UNIFIED VCT/TOUCH & GO



SLOTTED DESIGN FOR 1/4-20 & 3/8-16 CAMERA SCREWS

VERTICAL 15mm ROD CLAMP
For optional lens support, reverse dovetail position.

TOP DOVETAILS AVAILABLE FOR EVERY CAMERA TYPE

ARCA SWISS STANDARD DOVETAIL SHAPE

PASS THROUGH 15mm RODS

DUAL 15mm ROD CLAMPS

ARRI STANDARD DOVETAIL SLOT

QUICK RELEASE DOVETAIL
For attaching to tripod or ARRI standard bridgeplates.

UNIFIED BRIDGEPLATE (19mm)

\$499 SKU: 223100

SLOTTED DESIGN
For attaching to non-standard screw spacing.

ADJUSTABLE CENTER PLATFORM
Set bridgeplate to correct ARRI or RED lens height.

2060 DOVETAIL (12")
\$399 SKU: 143600



UNIFIED BASEPLATE (SONY FS7)

\$499 SKU: 222100

ADJUSTABLE COUNTERBALANCE VIA DOVETAIL

ALL UNIFIED BASEPLATES ARE COMPATIBLE

SAFETY PIN

UNIFIED VCT WEDGE PLATE

\$495 SKU: 223300



VCT-14 STANDARD RECEIVER

ARRI STANDARD ROSETTES AND ACCESSORY MOUNTS

SPRING LOADED FOOT

UNIFIED VCT-14 TRIPOD PLATE

\$295 SKU: 223400



ALL METAL CONSTRUCTION

TOUCH & GO SYSTEM

Touch & Go System is an industry standard, quick release system compatible with OConnor 120mm, Sachtler, and Ronford Baker.

\$399 SKU: 256200



TOUCH & GO SYSTEM (PLATE ONLY)

\$95 SKU: 256400

TOUCH & GO SYSTEM (RECEIVER ONLY)

\$325 SKU: 256300



UNIFIED DSLR CAGE

BLACKMAGIC URSA MINI

COLD SHOE

FOLDING TOP HANDLE

WOODEN CAMERA

WOOD HANDLE GRIP
Reverse grip when using Sony and Panasonic XLR adapters.

15mm ROD CLAMP FOR UVF MOUNT

UNIFIED DSLR CAGE (SMALL)
\$299 SKU: 243600

NIKON:
D90 D5200
D3200 D5300
D3100 D5500
D3400 D7100
D5100 D7000

SONY:
A7 A7rIII
A7r A7sIII
A7s A9
A7rII A6300
A7sII A6500
A7rIII A6600

CANON:
i2i i5i
i3i 60d
i4i 550d

PANASONIC:
GH2 GH5
GH3 GH5s
GH4

OLYMPUS:
OMD EM-1 mkII

FUJIFILM X-T2

LENS ADAPTER SUPPORT
Install included 1/4-20 posts to support VC and Metabones adapters.
15mm PASS THROUGH ROD CLAMPS

ARRI STANDARD DOVETAIL SLOT
For attaching to ARRI standard bridgeplates.

QUICK RELEASE DOVETAIL
For attaching to tripod, ARRI standard bridgeplates.

DSLR TOP PLATE
Arrays of 1/4-20 & 3/8-16 holes for mounting accessories including ARRI standard accessory mount.

HDMI CABLE CLAMP

ADJUST CAGE HEIGHT USING 15mm ROD

MANFROTTO VIDEO DOVETAIL

QUICK RELEASE PLATE

UNIFIED DSLR 15mm BASEPLATE
\$199 SKU: 243800

UNIFIED DSLR CAGE (MEDIUM)
\$299 SKU: 243700

CANON:
5DmkIV 6D
5DmkIII 70D
5DmkII 77D
7D 80D

NIKON:
D300 D610
D500 D7500
D600

FUJIFILM X-H1

UNIFIED DSLR CAGE (LARGE)
\$399 SKU: 243900

CANON:
1DC 1DXmkII D4s D3x
1DX 1DmkIV D4 D5

& CAMERAS WITH BATTERY GRIPS

ALSO AVAILABLE:
UNIFIED DSLR HANDLE RUBBER GRIP (3/8-16 THREAD)
\$30 SKU: 245900

BLACKMAGIC URSA MINI UNIFIED ACCESSORY KIT (PRO)
\$1,803 SKU: 226500

NATO HANDLE KIT (PLUS, 70mm)
\$250 SKU: 175700

UVF MOUNT (NO CLAMP)
\$379 SKU: 179900

TOP PLATE (URSA MINI)
\$295 SKU: 216000

D-BOX (URSA MINI, V-MOUNT)
\$995 SKU: 239500

2x 15mm ROD (15")
\$60 ea. SKU: 142600

SAFETY DOVETAIL (12")
\$260 SKU: 151200

UNIFIED BASEPLATE (URSA MINI)
\$499 SKU: 222200

WIRELESS SIDE PLATE ADAPTER (URSA MINI)
\$49 SKU: 229700

Attaches over the right rear side panel to provide mounting points for the Universal Wireless Side Plate which can be added for wireless receiver boxes, wireless transmitters, etc.

D-BOX (URSA MINI, GOLD MOUNT)
\$995 SKU: 239600

CONNECTIONS:

- (3x) D-Tap- 1.2v Unregulated
- USB-5v Regulated
- (2x) 2 pin LEMO Compatible, 1.2v Unregulated
- (2x) 3 pin Fischer 2.4v Regulated with Run/Stop
- DC Input- 1.2-1.6v

ROSETTE SIDE PLATE (URSA MINI)
\$150 SKU: 229600

Adds additional 1/4-20 and 3/8-16 mounting points. An ARRI standard rosette is available for attaching the handgrip or extension arm. ARRI accessory mount also available in several places (3/8-16 screw hole with locating pins adjacent).



ARRI ALEXA MINI

D-BOX PLUS (ALEXA MINI)

ARRI ALEXA MINI UNIFIED ACCESSORY KIT (PRO, 19mm)
\$2,940 SKU: 227300

NATO HANDLE KIT (PLUS, 100mm)

Quick release, multi-function top handle attaches and detaches without tools. Ratcheting, 360° rotating grip with integrated shoe mount. Safety NATO Rail (100mm) included in kit.

\$250 SKU: 175800

UVF MOUNT (ALEXA MINI, NO CLAMP)

Attaches directly to NATO Handle (Plus) or any other device with integrated 15mm clamp. Accepts ARRI MVF-1 and has three points of adjustment. Toolless design allows quick installation and removal.

\$379 SKU: 207400

UNIFIED CAGE (ALEXA MINI + LW)

Cage attaches by four screws on top and four screws on the bottom making it extremely secure. Side pieces feature NATO rails and two quick release NATO Rosettes that are ARRI standard. 15mm LVW baseplate on bottom attaches to any tripod plate or ARRI standard bridgeplate.

\$995 SKU: 226900

2x 19mm ROD (15")

19mm diameter iris rods for mounting accessories.

\$60 ea. SKU: 143300

2060 DOVETAIL (12")

12" ARRI standard dovetail with safety catches on each end.

\$399 SKU: 143600

ADDITIONAL OPTIONS

V-MOUNT (ALEXA MINI)



\$320 SKU: 207500

WC GOLD MOUNT (ALEXA MINI)



\$320 SKU: 207600

BATTERY SWING



\$350 SKU: 245700

BATTERY SWING BRACKET ONLY (FOR D-BOX PLUS)



\$265 SKU: 254600

BATTERY SLIDE

Adjustable mounting system for V-Mount, QRC style Gold Mount, and RED/Blueshape battery plates.

\$199 SKU: 156600

ROD CLAMP (19mm)

Provides 1/4-20 and 3/8-16 mounting points for attaching accessories like Battery Slide to rods.

\$99 SKU: 150400

UNIFIED BRIDGEPLATE (19mm)

ARRI style bridge plate with 19mm studio spacing for holding the two 19mm Rods (15") at the correct lens height and attaches easily to an ARRI standard dovetail.

\$499 SKU: 223100

HD-SDI OUTPUT

HDMI OUTPUT



D-TAP

12v unregulated.

HD-SDI OUTPUT

EVF

2 PIN LEMO COMPATIBLE

12v unregulated.
ARRI standard wiring.

3 PIN FISCHER

24v regulated with run/stop.

7 PIN EXT PORT

5V USB

11-17v DC INPUT

Full size 4 pin XLR

D-Box Plus interfaces with the camera's Power, EXT, and SDI ports. DC input is now a full size 4pin XLR connector. Physical fuses have been replaced by a processor controlled amp limit.

D-BOX PLUS (ALEXA MINI, GOLD MOUNT)

\$1,995 SKU: 253600

D-BOX PLUS (ALEXA MINI, V-MOUNT)

\$1,995 SKU: 253700

CABLES TO CAMERA:

8 PIN LEMO COMPATIBLE CABLE (16")
7 PIN LEMO COMPATIBLE CABLE (16")
HD-SDI CABLE (16")

CANON C200/C200B

CANON C300mkII

CANON C200/C200B UNIFIED ACCESSORY KIT (PRO)

\$2,071 SKU: 254500

CANON C300mkII UNIFIED ACCESSORY KIT (PRO)

\$2,071 SKU: 226200

NATO HANDLE KIT (CHEESE, 70mm)

Quick release, multifunction top handle attaches and detaches without tools. Arrays of 1/4-20 and 3/8-16 holes provides mounting points for additional accessories. Safety NATO Rail (70mm) included in kit.

\$250 SKU: 166300

TOP PLATE (C200/C200B)

Top mounting cheeseplate for the Canon C200/C200B cameras. Arrays of 1/4-20 and 3/8-16 holes in standard spacing for accessory mounting.

\$195 SKU: 257300

UVF MOUNT (V2)

Attaches to included 15mm tube clamp or any other device with integrated 15mm clamp. Accepts most EVFs and LCDs with three points of adjustment. Toolless design allows quick installation and removal.

\$449 SKU: 157100

BATTERY SLIDE

Adjustable mounting system for V-Mount, GRC style Gold Mount, and RED/Blueshape battery plates.

\$199 SKU: 156600

ROD CLAMP (1.5mm LW)

Provides 1/4-20 mounting points for attaching accessories like Battery Slide to rods.

\$99 SKU: 150200

SAFETY DOVETAIL (12")

ARRI standard dovetail with stop screw on one end and safety latch on the other to prevent accidental camera removal.

\$260 SKU: 151200

2x 15mm ROD (15")

15mm diameter iris rods for mounting accessories.

\$60 ea. SKU: 142600

UNIFIED BASEPLATE (CANON C200, C200B)

Quick release baseplate that provides lightweight 15mm rod support at the correct lens height.

\$499 SKU: 242800

ADDITIONAL OPTIONS

CANON C-SERIES HANDGRIP EXTENSION CABLE (C200, C200B)



\$95 SKU: 251900

WC V-MOUNT (C200, C200B, C300mkII)



\$225 SKU: 214700

WC GOLD MOUNT (C200, C200B, C300mkII)



\$225 SKU: 214800

NATO HANDLE KIT (CHEESE, 70mm)

Quick release, multifunction top handle attaches and detaches without tools. Arrays of 1/4-20 and 3/8-16 holes provide mounting points for additional accessories. Safety NATO Rail (70mm) included in kit.

\$250 SKU: 166300

TOP PLATE (C300mkII)

Top mounting cheeseplate for the Canon C300mkII camera. Arrays of 1/4-20 and 3/8-16 holes in standard spacing for accessory mounting. Includes 1/4-20 hot shoe for mounting original monitor.

\$195 SKU: 216100

UVF MOUNT (V2)

Attaches to included 15mm tube clamp or any other device with integrated 15mm clamp. Accepts most EVFs and LCDs with three points of adjustment. Toolless design allows quick installation and removal.

\$449 SKU: 157100

BATTERY SLIDE

Adjustable mounting system for V-Mount, GRC style Gold Mount, and RED/Blueshape battery plates.

\$199 SKU: 156600

ROD CLAMP (1.5mm LW)

Provides 1/4-20 mounting points for attaching accessories like Battery Slide to rods.

\$99 SKU: 150200

SAFETY DOVETAIL (12")

ARRI standard dovetail with stop screw on one end and safety latch on the other to prevent accidental camera removal.

\$260 SKU: 151200

2x 15mm ROD (15")

15mm diameter iris rods for mounting accessories.

\$60 ea. SKU: 142600

UNIFIED BASEPLATE (CANON C300mkII)

Quick release baseplate that provides lightweight 15mm rod support at the correct lens height.

\$499 SKU: 222100

D-BOX (C300mkII, C200, C200B, GOLD MOUNT)



\$1,150 SKU: 215700

D-BOX (C300mkII, C200, C200B, V-MOUNT)



\$1,150 SKU: 215800

CANON C300 HANDGRIP RELOCATOR (ARRI ROSETTE)



\$299 SKU: 213500

RED MALE LEMO TO FEMALE POGO LCD/EVF CABLE (12", WEAPON)

Converts standard 16 pin LEMO compatible to female pogo interface for the DSMC2 monitors.
\$205 SKU: 221400

ULTRA ARM MONITOR MOUNT (1/4-20 TO 1/4-20, 5")

Modular articulating arm with two sets of 25mm (1") double ball joints.
\$175 SKU: 232100

UVF MOUNT v2

UVF Mount v2 accepts most EVFs and LCDs with three points of adjustment. Tool-less design allows quick installation and removal UVF v2 Sled. Safety pin prevents accidental removal.
\$449 SKU: 157100

TRIGGER HANDLE (WEAPON)

Attaches directly to camera top or to top plate and 1/4-20 and 3/8-16 holes for attaching accessories. Run/stop button on top.
\$350 SKU: 228000

EASY TOP (WEAPON)

Top cheeseplate for RED Weapon, Scarlet Weapon, and Raven cameras. 1/4-20 and 3/8-16 holes in standard spacing for accessory mounting. Included interfaces convert the two LCD/EVF pogo pins to 16pin LEMO compatible connectors.
\$599 SKU: 213900

PL MOUNT (WEAPON/EPIC)

Simple PL mount that attaches to Weapon, Epic-W, Scarlet-W, Epic, and Scarlet cameras.
\$399 SKU: 175900

LW 15mm BRACKET (WEAPON)

Combine with Easy Riser for 15mm LW rods on Weapon/Epic-W/Scarlet-W/Raven.
\$140 SKU: 213800

2060 DOVETAIL (12")

12" ARRI standard dovetail with safety catches on each end.
\$399 SKU: 143600

UNIFIED BRIDGEPLATE (19mm)

19mm Bridgeplate with adjustable center platform for correct ARRI or RED lens height. Slotted design allows for attaching to non-standard screw spacing.
\$499 SKU: 223100

D-BOX (WEAPON)

Digital processor controlled amp limits of 3.8, 5.8, or 9 amps for external accessories. Reset using the switch on the operator's side should the user exceed the set current for accessories. Once the current load has been reduced by either removing accessories or reconfiguring, the reset button can be pressed to enable accessory power again.

2x SAFETY NATO ARM (WEAPON)

NATO standard rail with safety pins on each end. Spans from Easy Top (Weapon) to Easy Riser (Weapon).
\$140 ea. SKU: 227700

D-BOX GOLD MOUNT (WEAPON)

Adds power distribution, standardized remote start/stop, and hot swap abilities for the RED DSMC2 cameras. Tool-less installation utilizing our Cable-less interface which attaches directly to the back of the camera body. Authentic Anton Bauer Gold Mount battery plate.
\$1,295 SKU: 234000

RIGHT SIDE PLATE (WEAPON)

Side mounting cheeseplate for the RED Weapon, Scarlet Weapon, and Raven cameras. Attaches directly to side of camera body. Rows of 1/4-20 threaded holes in RED standard spacing, ARRI style mounting holes, and ARRI standard rosette.
\$150 SKU: 227800

2x 19mm ROD (15")

19mm diameter iris rods for mounting accessories.

\$60 ea. SKU: 143300

EASY RISER (WEAPON)

Riser shim plate for RED Weapon, Epic-W, Scarlet-W, and Raven cameras. Combine with Unified Bridgeplate (19mm) or (15mm Studio) for rod support at correct lens height.
\$160 SKU: 213700

WiFi SIDE PLATE (WEAPON)

Provides an external WiFi antenna mount in place of the decorative right side panel and does not interfere with RED products.
\$499 SKU: 228800

ADDITIONAL OPTIONS

PASS THROUGH TOP PLATE (WEAPON/DSMC2)



\$350 SKU: 229400

CABLE-LESS V-MOUNT (WEAPON/DSMC2)



\$645 SKU: 220600

CABLE-LESS GOLD MOUNT (WEAPON/DSMC2)



\$645 SKU: 220800

DSMC2 HANDLE RISER (WEAPON/DSMC2)



\$140 SKU: 241400

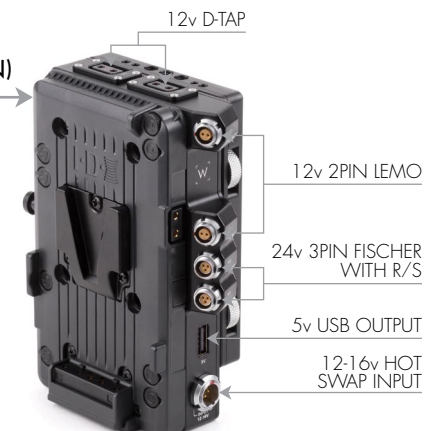
TOOL-LESS LCD/EVF ADAPTER (WEAPON/DSMC2)



\$140 SKU: 233800

D-BOX V-MOUNT (WEAPON)

\$1,295 SKU: 233900



12v D-TAP

12v 2PIN LEMO

24v 3PIN FISCHER WITH R/S

5v USB OUTPUT

12-16v HOT SWAP INPUT

PANASONIC EVA1 UNIFIED ACCESSORY KIT (PRO)

\$1,972 SKU: 255100

UVF MOUNT (PANASONIC EVA1)
Attaches directly to NATO Handle (Plus) or any other device with integrated 15mm clamp. Replaces the original viewfinder mount system to provide a permanent level horizon to the camera.
\$449 SKU: 245800

NATO HANDLE KIT (PLUS, 70mm)
Quick release, multi-function top handle attaches and detaches without tools. Arrays of 1/4-20 and 3/8-16 holes provide mounting points for additional accessories. Safety NATO Rail (70mm) included in kit.
\$250 SKU: 175700

TOP PLATE (EVA1)
Top mounting cheeseplate for the Panasonic EVA1 camera. Arrays of 1/4-20 and 3/8-16 holes in standard spacing for accessory mounting.
\$195 SKU: 254000

2x 15mm ROD (15")
15mm diameter iris rods for mounting accessories.
\$60 ea. SKU: 142600

SAFETY DOVETAIL (12")
ARRI standard dovetail with stop screw on one end and safety latch on the other to prevent accidental camera removal.
\$260 SKU: 151200

BATTERY SLIDE (PANASONIC EVA1)
Adjustable mounting system for V-Mount & Gold Mount battery plates. Attaches directly to side of our Top Plate (EVA1).
\$199 SKU: 254200

UNIFIED BASEPLATE (PANASONIC EVA1)
Quick release baseplate provides lightweight 15mm rod support at the correct lens height.
\$499 SKU: 222400



ADDITIONAL OPTIONS

WC V-MOUNT (PANASONIC EVA1)
\$195 SKU: 194200

WC GOLD MOUNT (PANASONIC EVA1)
\$195 SKU: 194300

PANASONIC EVA1 HANDGRIP RELOCATOR (ARRI ROSETTE)
\$195 SKU: 257000



SONY FS7 UNIFIED ACCESSORY KIT (PRO)

\$2,055 SKU: 224400

NATO HANDLE KIT (PLUS, 70mm)
\$250 SKU: 175700

TOP PLATE (FS7)
\$299 SKU: 193900

2x 15mm ROD (15")
\$60 ea. SKU: 142600

SAFETY DOVETAIL (12")
\$260 SKU: 151200

UVF MOUNT (FS7, NO CLAMP)
\$329 SKU: 195800

BATTERY SLIDE
\$199 SKU: 156600

ROD CLAMP (15mm LW)
\$99 SKU: 150200

UNIFIED BASEPLATE (SONY FS7)
\$499 SKU: 222100



SONY FS5 UNIFIED ACCESSORY KIT (PRO)

\$1,637 SKU: 226800

NATO LOCK ULTRA ARM (3")
\$265 SKU: 250500

TOP PLATE (SONY FS5)
\$195 SKU: 215900

2x 15mm ROD (15")
\$60 ea. SKU: 142600

SAFETY DOVETAIL (12")
\$260 SKU: 151200

BATTERY SLIDE
\$199 SKU: 156600

ROD CLAMP (15mm LW)
\$99 SKU: 150200

UNIFIED BASEPLATE (SONY FS5)
\$499 SKU: 222400



PL MODIFICATION KITS

PANASONIC EVA1 & CANON C200

Converts EF to PL Mount

User Performed

Reversible Process



PL MOUNT MODIFICATION KIT
(PANASONIC EVA1)

\$499 SKU: 255400

PL MOUNT MODIFICATION KIT
(CANON C200/C200B)

\$499 SKU: 257700