

magic carpet. PRO

Setup Guide

Before you start filming, there are a few simple steps to follow to ensure your Magic Carpet PRO is assembled correctly and you're sliding smoothly.

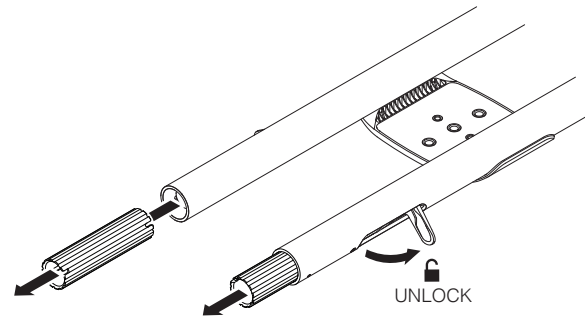
This guide will walk you through the correct Magic Carpet Pro set up, as well as some helpful tips.

Additional resources can be found at support.syrp.co.nz

Remove Track Joiners

- 1 Lift open both Track Locks and pull out the Track Joiners.

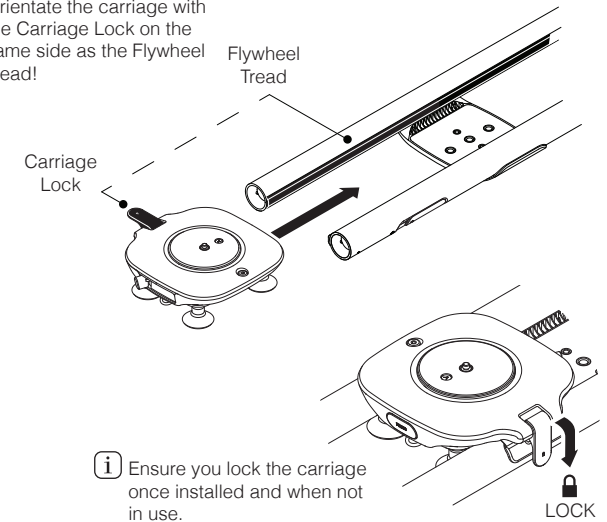
The Track Joiners are only required when joining multiple tracks together.



Install the Carriage

- 2 Slide the Carriage on to the Track Rails.

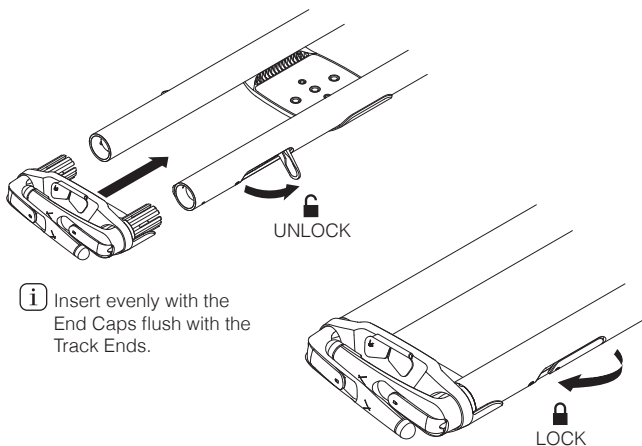
- i** Orientate the carriage with the Carriage Lock on the same side as the Flywheel Tread!



Install the End Caps

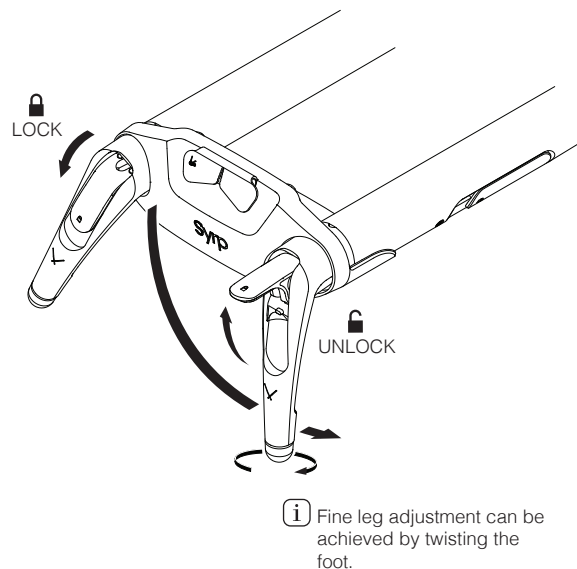
- 3 Unlock both the Track Locks and insert the End Caps.

Close the Track Locks securing the End Caps in place.



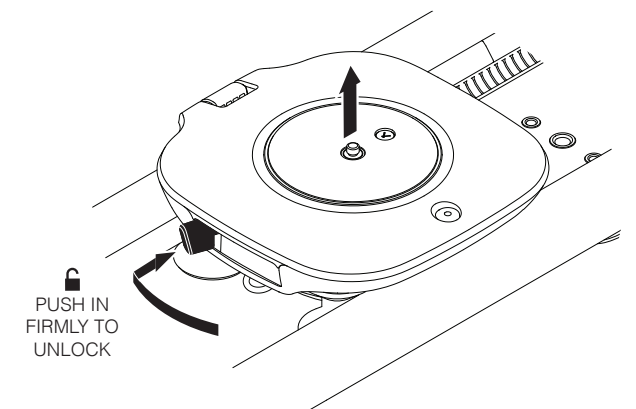
Adjust the Legs

- 4 Lift open the Leg Locks to release the legs and set the leg angle.



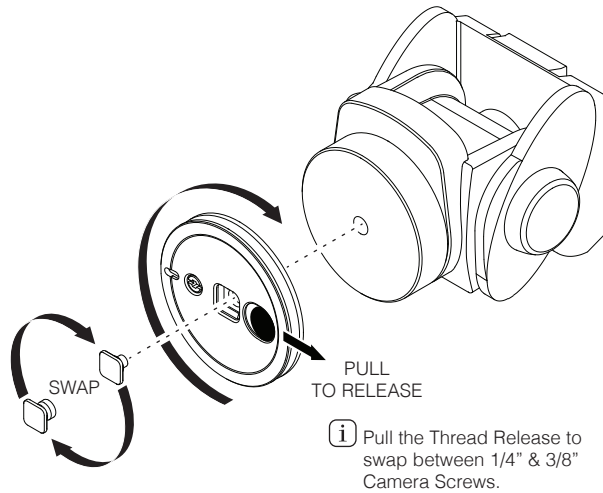
Remove the Quick Release Plate

- 5 Slide the Quick Release Lock to unlock and push in while pulling the Plate up to remove.



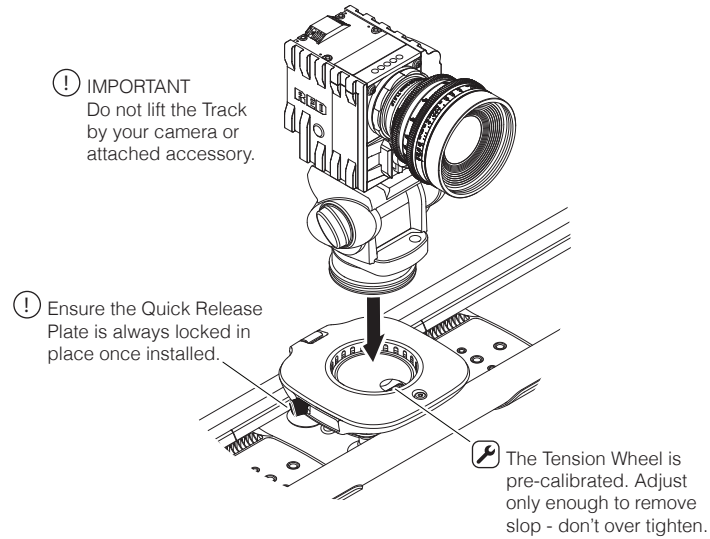
Fasten Quick Release Plate

- 6 Screw the Quick Release Plate to your video head.



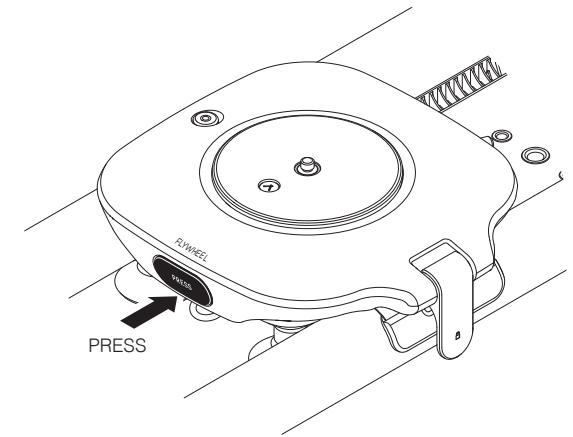
Mount Camera

- 7 Push the Quick Release Plate down into the carriage. You will hear a click when it's flush and engaged. Slide the Quick Release Lock to lock.



Engage Flywheel

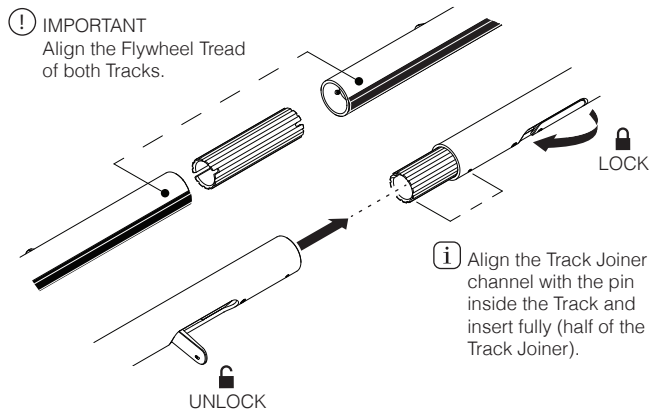
- 8 Press the Flywheel button in to engage or release the Flywheel.



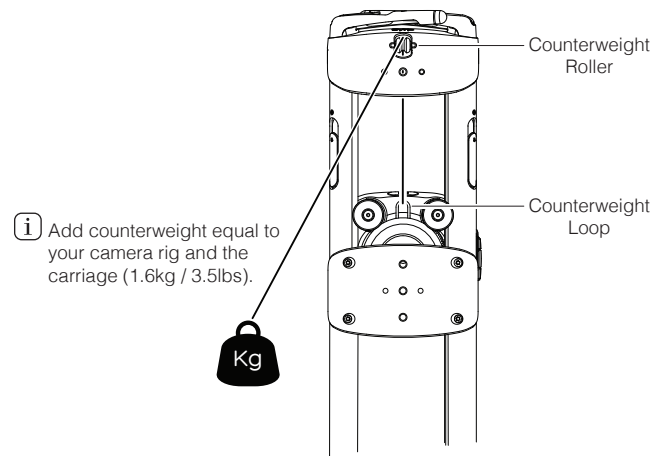
Extend Track Length (optional)

- 9 Lift open the Track Locks and insert the Track Joiners. Close the Track Locks.

Open the Track Locks on the additional Track and insert over the Joiners. Close the Track Locks.



- 10 Tie a counterweight rope to the Counterweight Loop and thread over the green Counterweight Roller. Tie the end to a counterweight.



- ⚒ To maintain optimal smooth movement regularly wipe the Carriage Wheels and Track clean with a soft cloth to remove dirt.
- ⚒ Avoid over tightening the Tension Wheel, doing so could damage the track.

WARNINGS

- ! Always lock the Carriage when not in use and transporting the Track.
- ! Do not lift the Track by your camera or attached accessory. Always detach camera and accessory before transporting.
- ! Every 3 feet length of Track should be supported by a tripod or other support, to add rigidity and prevent sag.